

New Zealand Kennel Club (Inc)
(Affiliated with The Kennel Club, England)
(Associated with the Federation Cynologique Internationale)

SHOW



REGULATIONS

(Reprinted with Additions and Amendments 1 June 2018)



Headquarters
Prosser Street, Porirua.

New Zealand Kennel Club
Private Bag 50903
Porirua 5240

Copyright - New Zealand Kennel Club (Inc.)



CONTENTS

1. Definitions.....	2
2. Show Approvals.....	3
3. Cancellation of Shows.....	6
4. Judges and Judging Appointments.....	6
5. Schedules.....	8
6. Definitions of Breed Classes.....	8
7. Definitions of Stake Classes.....	10
8. Junior Dog Handler Class.....	12
9. Schedule of Prizes.....	12
10. Show Entry.....	12
11. Deleted.....	
12. Judging Timetable.....	14
13. Judging Order.....	14
14. Ring Equipment.....	15
15. Show Catalogues.....	15
16. Records to be Retained.....	16
17. Preparation of Dogs for Exhibition.....	16
18. Dress of Exhibitors.....	16
19. Exhibition of Dogs.....	16
20. Judges Award Record Card.....	22
21. Judge's Decision.....	22
22. Challenge Points.....	22
23. Veterinary Surgeon For Shows.....	23
24. Objections.....	23
25. Reporting of Fraudulent or Discreditable Conduct.....	24
26. Open Shows.....	24
27. Ribbon Parades.....	25
28. Match Competitions and Special Events.....	26
29. Gundog Clubs (Guidance for Trials).....	26
30. Racing Whippets.....	27
31. Cats.....	27
Index.....	28
 Appendix	
Ramp Breeds.....	34
Judging Ramp Specifications.....	35

1. DEFINITIONS

- 1.1 **“Show” and “Fixture”** includes Championship Show, Open Show, Ribbon Parade, Field Trial, Water Trial, Championship Obedience Test, Obedience Open Trial, Obedience Ribbon Trial, Companion Dog Trial, Utility Dog Trial, Working Dog Trial, Tracking Dog Trial, Agility Events, Agility Ribbon Trials and Field Trial and Water Trial Training Classes.
- 1.2 **“Recognised Show”** is
- 1.2.1 Any “Show” and “Fixture” as defined in Regulation 1.1 hereof held in New Zealand under New Zealand Kennel Club Rules or otherwise under the sanction of the Executive Council of the New Zealand Kennel Club or delegated authority.
- 1.2.2 Any show held abroad under sanction of an authority recognised by the New Zealand Kennel Club.
- 1.2.3 Any Match Competition as defined in Regulation 1.10 hereof.
- 1.3 **“Unrecognised Show”** is any show not coming within the definition of “Recognised Show”.
- 1.4 **“All Breeds Championship Show”** is a show for all recognised breeds at which Challenge Certificates are offered for competition for all breeds.
- 1.5 **“Group Championship Show”** is a show held by an associated group club at which Challenge Certificates are offered for competition for all breeds in that group or those groups.
- 1.6 **“Multi-breed Championship Show”** is a show held by an associated multi-breed club at which Challenge Certificates are offered for competition for those breeds catered for by that club.
- 1.7 **“Specialist Breed Championship Show”**, is a show held by a specialist breed club catering for one breed (including a club catering for the two Welsh Corgi Breeds) at which Challenge Certificates are offered for competition for that breed.
- 1.8 **“Open Show”** is a show held by any club Affiliated or Associated under New Zealand Kennel Club Rules 8, 9, or 10 held in a similar format to a Championship Show but at which no Challenge Certificates are offered for competition.
- 1.9 **“Parade”**. A Parade is an exhibition of dogs as may be sanctioned.
- 1.10 **“Match Competition”** A match is a competition between Societies and/or New Zealand Kennel Club members competing subject to Regulation 28 hereof
- 1.11 **“Field Trials and Water Trials”**. Field Trials and Water Trials are fixtures at which Gundogs may compete in accordance with and as defined in Show Regulations or otherwise as may be sanctioned.
- 1.12 **“Benched Show”** is any Recognised Show to which the public is admitted, a charge is made either directly or indirectly for such admission, benching is provided; and the Society conducting the show has determined and advertised it as a benched show. At such a show all dogs must be benched for the period specified and failure of an exhibitor to do so renders him and his exhibit subject to disqualification.
- 1.13 **“Exhibitor”** means the person(s) in whose name the relative exhibit is entered for exhibition, and this means the owner(s) in the records of the New Zealand Kennel Club at that point in time, but also where the context reasonably permits shall be deemed to include the person by whom the dog is displayed or handled and the person in whose charge the exhibit is whilst at the show and in the Judging Ring. Nothing in these Regulations shall permit a bitch which is loaned for breeding purposes to be exhibited in the name of the lessee. (subject to subclause 1.13 hereof).
- 1.14 **“Handler”** An Obedience Tests, Obedience Working Trials, Agility Events and Agility Dog Classes shall mean the person who takes the dog into the ring or working area for all or part of the test, event or trial as the case may be, and for all other purposes should include any person who is physically in control of the do.
- 1.15 **“Exhibit”** used as a verb includes the verbs “show”, “handle” and vice versa and to exhibit or to show or to handle includes to compete.

- 1.16 **“Society”** means any Club, Society or Association of breeders or owners of dogs admitted to the New Zealand Kennel Club by the delegates at an Annual General Meeting or Special General Meeting of the New Zealand Kennel Club, or by the Executive Council, as an affiliated, associated or recognised society or body.
- 1.17 **“Owned” and “co-owned”** for the purposes of these Regulations shall have the same meaning.
- 1.18 **“Monorchid”** is a male dog with one apparently normal testicle fully descended into the scrotum, **“Cryptorchid”** is a male dog without either testicle fully descended into the scrotum, **“Entire”** is a male dog with two apparently normal testicles fully descended into the scrotum.
- 1.19 **“Class”** means any number of dogs and/or bitches scheduled or eligible to compete in the ring at the same time.
- 1.20 **“Award”** means the result of the judge’s decision, and includes First, Second, Third and other placings, Bests of Breed, Bests of Group and Bests in Show.
- 1.21 **“Prize”** means any card, certificate, ribbon, trophy, cash or other item presented to the winner of any award.
- 1.22 **“Owner”** - Is the person in whose name the dog is registered with the New Zealand Kennel Club. It may also mean the agent where applicable.
- 1.23 **“Agent”** - Shall mean any person having temporary legal possession of any dog.
- 1.24 **“Entry Form”**. This may be either by online entry, standard official entry form, or a photocopy of the official NZKC replicable form; photocopies of the standard form are not permitted.
- 1.25 **“Contracted panel of judges”** – is the group of judges contracted to officiate at a show/s or an event by the same organising committee.

2. SHOW APPROVALS.

The Executive Council shall have power to grant, withhold, or cancel, permission for the holding of any Recognised Show subject to:

2.1 APPLICATION FOR APPROVAL OF SHOW DATES AND LICENCES TO HOLD SHOWS

No Society shall conduct a Championship Show, Obedience Championship Test, Open Show, Obedience Open Trial or Agility Event without prior granting of a licence to hold the show and the allocation of a Show Date in accordance with the following

2.1.1 Licence to hold a show

2.1.1.1 All Breeds Societies affiliated under Rule 8, will be allocated licences to hold Championship Shows without application.

2.1.1.2 Associated Clubs Championship Show.

2.1.1.2.1 The granting of a Licence to hold a Championship Show for all societies associated pursuant to New Zealand Kennel Club Rules 9 and 10 is in every case subject to New Zealand Kennel Club approval.

2.1.1.2.2 Associated clubs which meet the conditions shall upon application be granted licences for Championship Shows.

2.1.1.2.3 Only Associated All Breeds clubs will be granted Provisional Championship Show Licences five year in advance without application. Application must be made by all other associated societies for all Licences to hold Championship Shows.

2.1.1.2.4 Time for and Method of application:

Application for a Championship Show Licence can be made at any time more than three months and up to two years in advance of the date of the show.

Application is to be made on the form issued by the New Zealand Kennel Club.

2.1.1.2.5 Specialist Breed National Show Licences shall only be granted two calendar years in advance of date of the show.

- 2.1.1.2.6** Unless otherwise provided Championship Show Licences shall only be granted two calendar years in advance of date of the show.
- 2.1.1.2.7** A date of a Championship Show Licences shall be allocated upon application and can be altered by application in writing at any time subject to the consent in writing of any club affected by such alteration.
- 2.1.1.2.8** All Breed, Group, the Asian Breeds Club, the Spitz Breeds Club, the United Bull Breed Association, Specialist Breed and Multi Breed clubs can be granted up to two Championship Show Licences in any one calendar year. Any of these clubs must establish special circumstances before they can be granted more than two Championship Show Licences.
- 2.1.1.2.9** Every licence application shall be considered on its merits and shall be approved if it is demonstrated to the New Zealand Kennel Club that
 - the club has conducted its fixtures in a proper manner and in accordance with New Zealand Kennel Club Rules and Regulations, and;
 - shows conducted by the club have the support of sufficient exhibitors bearing in mind the nature of the shows, the location of the shows, number of Challenge Certificates on offer, the strength of the breed, breeds or group involved, and;
 - the granting of a licence is warranted, and;
 - in the cases where regulations require, special circumstances exist that justify the granting of a licence.
- 2.1.1.2.10** A licence once granted can be revoked by the Executive Council at any time if the Executive Council is satisfied that since the granting of the licence the club is no longer meeting all or any of the criteria set out in regulation 2.1.1.2.9

2.1.1.3 Application for a licence to hold an Open Show may be made by applying in writing at any time up to three months before the date of the Show.

2.1.1.4 The Executive Council shall have power to withhold Challenge Certificates from any Society committing a breach of Show Regulations and/or to impose such other penalty by way of fine as they deem desirable.

2.1.2 Granting of Show Dates

2.1.2.1 The New Zealand Kennel Club shall set a five year calendar for All Breeds Societies which shall be circulated to all Affiliated and Associated Clubs annually. Unless otherwise requested All Breed Clubs will be allocated the equivalent date in each successive year. Approval will not be granted for two all Breed Championship Shows on the same day, in the same Island (North Is. Or South Is.) unless the written consent of both clubs in approved.

2.1.2.2 Associated clubs shall nominate their preferred show date(s) on their application for a licence to hold any show

2.1.2.3 In allocating Championship Show Dates the following criteria shall be observed:
 First - Dates of Shows in previous years.
 Next - Dates requested.
 Next - Conflict with the conduct of a show of another club within a reasonable geographic area.

2.1.2.4 The following priorities shall be observed:
 First - All Breeds.
 Next - Group Clubs.
 Next - Multi-Breed Clubs.
 Next - Specialist Breed Clubs.

2.1.2.5 Sharing the same date by more than one club that otherwise conflicts will be permitted provided the consent in writing of any club ranking higher in priority in sub-clause 4 hereof is obtained and provided further that such consent shall not be unreasonably or arbitrarily withheld.

- 2.1.3** Alteration of Show Date already approved.
 - 2.1.3.1** Any Society may apply for the alteration of Championship Show Dates previously allocated as follows:
 - 2.1.3.2** The prior consent in writing is obtained of all Societies approved to conduct a show involving all or any of the same breeds in a reasonable geographic area on the date(s) being vacated and the date(s) being applied for.
 - 2.1.3.3** All Breeds Societies must publish their intention to alter previously granted Championship Show dates in the Club Notices section of the New Zealand Kennel Gazette and approval will be granted by the Director/Secretary only if no valid objections are received by the tenth day of the month following the month of publication of such notice.

- 2.1.4** Obedience and Agility Fixtures
Obedience Clubs associated under Rule 9 will be allocated Show Dates and granted licences to hold Championship Tests without application. Application for Obedience Open Trials and Agility Events can be made at any time up to three months before the date of the Trial or Event. All obedience and agility fixtures also require the consent of the Zone in which the club is situated.

2.2 APPROVAL OF FORMAT OF SHOW

In addition to Clause 2.2.1 hereof the approval of the format of any Show must be obtained as follows:

- 2.2.1** For Championship Shows and Championship Obedience Tests - By completing the Official Schedule Performa form published or approved by the New Zealand Kennel Club and forwarding it to the New Zealand Kennel Club on or before the closing date for publication of the schedule in the New Zealand Kennel Gazette.
- 2.2.2** For Open Shows Obedience Open Trials and Agility Events - By completing the Official Schedule Proforma form published by the New Zealand Kennel Club and forwarding it to the New Zealand Kennel Club not less than one month before the date of the fixture.
- 2.2.3** For Obedience Working Trials - By application to the New Zealand Kennel Club Obedience Committee pursuant to Obedience Regulations.
- 2.2.4** For Ribbon Parades Obedience Ribbon Trials and Agility Ribbon Trials - By notification to New Zealand Kennel Club in accordance with Regulation 27 hereof and Obedience Regulations.
- 2.2.5** Subject to the provisions of New Zealand Kennel Club Obedience Regulations relating to Obedience Training Classes and Agility Events no permission is required to conduct any other Recognised Shows.

2.3 SHARED DATES.

Clubs sharing Show Dates shall schedule their shows in a reasonable manner and so as not to conflict with the judging of other shows sharing the same date.

2.4 CONFLICTING DATES.

Open Shows, Obedience Open Trials, Ribbon Parades, Obedience Ribbon Trials and Agility Ribbon Trials shall not be scheduled to conflict with the judging of any Championship Show or Test or Agility Event being conducted within a reasonable distance.

2.5 SPECIALIST AND MULTI BREED NATIONAL SHOWS.

The Executive Council in its absolute discretion may grant permission for a Specialist or Multi Breed National Show to be hosted by an Associated Specialist Breed Club pursuant to New Zealand Kennel Club Rule 9 or Multi Breed Club pursuant to New Zealand Kennel Club Rule 8 upon application by the society upon the following conditions:-

- 2.5.1** A majority of the Specialist Breed Clubs or Multi Breed Clubs in that breed/s agree in writing to the holding of the show at the time of application.
- 2.5.2** A National Specialist Breed or National Multi Breed Championship Show will only be permitted in any breed/s every two years or more. A National Specialist or Multi breed championship show may be held in any month of each eligible year..
- 2.5.3** Any application must include the date and venue and be received at least one year prior to the date on which the show is proposed to be held.
- 2.5.4** No show conducted by any affiliated, associated, or recognised club pursuant to Rules 7, 8, 9, or 10 will be permitted to be called a "National" or "Classic" show without the prior approval of the New Zealand Kennel Club.
- 2.5.5** The Executive Council shall be empowered to impose such conditions in its absolute discretion as it shall think fit.

2.6 NATIONAL AND CLASSIC DOG SHOWS

The Executive Council may promote the holding of Championship Shows.

3. CANCELLATION OF SHOWS

No Society may cancel a Recognised Show previously approved without the approval of the Director/Secretary.

4. JUDGES AND JUDGING APPOINTMENTS

4.1 Judges Panels

4.1.1 (a) A Register of the names of persons domiciled in New Zealand and authorized to judge at Championship, Open Shows, Ribbon Parades and Junior Showmanship shall be kept by the Director/Secretary and this Register shall be known as the Official Show Judges Panel.

4.1.1 (b) All persons listed on the Official Show Judges Panel shall be a current member of the New Zealand Dog Judges Association Inc.

4.1.2 Appointments and Promotions

4.1.2 (a) Official Show Judges Panel

Appointments and promotions to and on the Official Show Judges Panel shall be made at any date set by the Executive Council upon recommendation of such appointments and promotions by the New Zealand Dog Judges Association Inc. Such appointments and promotions will take immediate effect. No judge can enter into any contract to judge or be listed as a judge in any schedule for a show published prior to the date of the appointment to any new panel.

4.1.2 (b) Aspiring Judges List

A member can be appointed to the Aspiring Judges List at any date set by the Executive Council upon recommendation of such appointment by the New Zealand Dog Judges Association Inc. Such appointments shall take immediate effect.

4.1.3 Eligibility

4.1.3 (a) Only members of the New Zealand Kennel Club permanently resident in New Zealand are eligible for appointment to the New Zealand Kennel Club Official Show Judges Panel, Junior Showmanship Panel or the Aspiring Judges List.

4.1.3 (b) No persons permanently resident in New Zealand shall be permitted to judge at any recognised show in New Zealand unless they are listed on the New Zealand Kennel Club Official Show Judges Panel appropriate for that show.

4.1.3 (c) No members of the New Zealand Kennel Club shall be permitted to judge overseas unless they are listed on the appropriate Championship Show Panel for the breed, group or general specials which they are to judge. Any judges listed on a group panel must have first judged that group once in New Zealand before they can judge overseas.

4.1.4 The New Zealand Kennel Club Official Show Judges Panel shall comprise of:-

- (a) Ribbon Parade Panel
- (b) Open Show Panel
- (c) Specialist Breed Championship Show Panel
- (d) Group Championship Show Panels
- (e) All Breeds Panel
- (f) General Specials Panel
- (g) Junior Showmanship Panel

In addition the New Zealand Kennel Club shall keep an Aspiring Judges List that shall be published with but not be part of the Official Show Judges Panel.

4.1.5 Obedience, Working Trials and Agility Judges: Obedience Regulations set out the terms and conditions of the New Zealand Kennel Club Obedience, Working Trials and Agility Judges Panels.

- 4.1.6** Gundog Trials Judges:
The rules of the New Zealand Gundog Association set out the terms and conditions for the New Zealand Gundog Trials Association Judges Panel.
- 4.2** New Zealand Judges may not be appointed to judge at any show unless they are listed on the appropriate Show Judges Panel for that show.
- 4.3** New Zealand Judges are approved to judge in New Zealand as follows:-
- 4.3.1** Save in exceptional circumstances only an All Breeds Judge or a judge listed on seven Championship Panels will judge Best In Show at an All Breeds Championship Show.
- 4.3.2** To judge at any Championship show the Judge must be listed on the appropriate Championship Show Panel for the Group or breeds to be judged by the Judge.
- 4.3.3** To judge Best of Group at an All Breeds or Group Club Championship Show the Judge must be listed on the appropriate Group Panel.
- 4.3.4** To judge Best in Show at a Multi-breed or Multi-group Club Championship Show the judge must be listed on the appropriate Group Panel or Specialist Breed Panel for all the breeds to be judged at the show.
- 4.3.5** To judge at any Open Show including Best in Show the Judge must be listed on the Open Show Panel or any Group Championship Show Panel or Panels.
- 4.3.6** Specialist Breed Championship Panel judges may judge at Open Shows or Ribbon Parades, all recognised breeds.
- 4.3.7** To judge all breeds at any Ribbon Parade including Best on Parade, the Judge must be listed on the Ribbon Parade Panel, Open Show Panel or any Group Championship Show Panel or Panels except in the case where Judges Regulation Section VII (2)(b)(ii) applies.
- 4.3.8** All Breed Judges including overseas All Breeds judges are not permitted to judge at Open Shows and Ribbon Parades in New Zealand.
- 4.4** At all recognised shows each class shall be judged by one Judge only.
- 4.5** All New Zealand Judges shall be approved to judge if they are listed on the appropriate New Zealand Kennel Club Show Judges Panel by naming them in the Official Schedule submitted for approval in accordance with these regulations. If they are not so listed the prior approval of the Executive Council must be obtained.
- 4.6** All overseas Judges require prior approval of the Executive Council. The procedure for obtaining approval is as follows:-
- 4.6.1** All Judges resident in Australia shall be approved to judge at Championship and Open Shows in New Zealand if they are listed on the latest Australian National Kennel Council Official Judges Listing as eligible to award Challenges for the breeds to be judged and to judge the Groups or Best in Show (if appropriate) by naming them in the Official Schedule submitted for approval in accordance with these regulations. If they are not so listed then specific approval must be sought by applying in writing at least six months prior to the show. In exceptional cases late applications can be made. Save in exceptional circumstances only an All Breeds Judge or judge listed on seven Championship Panels will judge Best In Show at an All Breeds Championship Show.
- 4.6.1.1** For the purpose of the regulations referring to approval of judges the term “exceptional circumstances” shall mean, but not be limited to: Where a judge is unable to continue judging due to illness or injury, having to leave the event part way through judging due to circumstances beyond their control, being unable to arrive at the show due to failed travel arrangements or a breach of Show Regulations being realised either before judging starts or during the course of judging. Any other applications for exemptions must be made to the Director Secretary.
- 4.6.2** For all other Judges, application must be made in writing prior to the forwarding of a contract. In exceptional circumstances (e.g. late cancelation of a contract) late applications may be made.
- 4.6.2 (a)** Pursuant to Rule 15 (e) of the rules of the New Zealand Kennel Club no person domiciled overseas may judge at any Show held under the Rules and Regulations of the New Zealand Kennel Club without the prior consent of the Executive Council.
- 4.6.2 (b)** Such consent may be given generally under Agreements in force with overseas Clubs pursuant to Rule 23 (h) of the Rules of the New Zealand Kennel Club but in all other cases by direct application to the Executive Council.

- 4.6.3** No examination or test conducted on behalf of any canine control other than the New Zealand Kennel Club are permitted to be conducted at any recognised show.
- 4.7** No Judge may be timetabled to judge more than 250 dogs per day at any show or shows. This limitation will also apply to dogs entered in Stakes and Classes under the same judge where the judge has not already judged the dog in a previous class. Save for the National Dog Show, under no circumstances, will approval be given by the New Zealand Kennel Club for any Judge to be timetabled to judge more than 250 dogs per day. Any dogs entered at a show or shows in excess of this figure for any one Judge must be allotted to another Judge, the appointment of any such additional Judge to the show to be approved by the New Zealand Kennel Club prior to the date of the show. This regulation does not apply to Agility Fixtures
- 4.8** At any Championship or Open Show a Judge may only accept additional appointments for the same breeds or groups already accepted in the same Island and within a radius of 325 kilometres during the period of three calendar months either side of the date of a Championship or Open Show already accepted if prior to acceptance he obtains the consent of both Societies concerned to the acceptance of such additional appointment.
- 4.9** The New Zealand Kennel Club Judging Contract form must be used by all clubs for invitations to judge at Championship Shows, Open Shows, Ribbon Parades, Obedience Tests, Obedience Open Trials, Obedience Ribbon Trials, Agility Events and Agility Ribbon Trials in New Zealand. Contracts for overseas Judges to judge in New Zealand should be made directly with the Judge concerned by correspondence and are subject to the Judge being approved to judge in New Zealand.
- 4.10** In the event of unforeseen circumstances which prevent the selected Judge from officiating, the Show Committee may select another Judge or Judges, who have been approved by the New Zealand Kennel Club and where possible exhibitors shall be advised of the change.
- 4.11** Judges fees and expenses - Every New Zealand Judge judging at a Championship Show (excluding Championship Obedience Tests) in New Zealand may be paid a judging fee. Any overseas judge judging in New Zealand may be paid a judging fee if it is included in their judging contract. In addition every Judge shall be entitled to claim on his/her contract travelling expenses, and if required, first class hotel/motel accommodation, meals, and in addition, where such Judge has lost wages as a result of time spent in travelling to or from a show and at the show, then the club concerned may make up to the Judge such loss of wages. Details of such expenses must be included by the Judge on the New Zealand Kennel Club Contract form.
- 4.12** Judges travel.
- 4.12.1** Show Judges may not travel with exhibitors in private conveyances to the show at which they are judging. Any dog which travels in the same private conveyance as a Show Judge to a show may not be exhibited at that show.
- 4.12.2** Obedience Judges are exempt from this Regulation provided they are only judging Obedience Tests at the show. In the event of an Obedience Judge also judging a portion of the show (e.g. a group or number of breeds) then such Obedience Judges must comply with this Regulation and should not travel with exhibitors in private conveyances to the particular show at which they are judging both show dogs and Obedience Tests.
- 4.13** When judging a neutered dog in classes for which they are eligible the provision in every standard stating Note: Male dogs should have two apparently normal testicles fully descended into the scrotum shall not apply.
- 4.14** If a judge has judged with a panel of judges at one or more Championship Shows, or at an event where the judge is contracted by the same organising committee, whether in New Zealand or overseas, they must not handle any dog or bitch under any of those judges for a period of 28 days after any such event. (Junior Showmanship and Young Kennel Club heats and finals, Ribbon Parades and Open Shows excluded).
- 4.15** Judges, as experienced members of the Dog World, shall at all times act with courtesy, professional integrity and complete impartiality and, by their actions, act as an example to other New Zealand Kennel Club Members. Judges shall demonstrate a sound knowledge of anatomy, New Zealand Kennel Club Rules and Regulations and all relevant breed standards.

5. SCHEDULES

5.1 Draft Copies.

Before any club may publish or distribute a Schedule for any Championship Show, Championship Obedience Test, Open Show, Open Obedience Trial or Agility Event it is required to obtain approval of the format of the show on the pro forma schedule published or approved by the New Zealand Kennel Club in accordance with Regulation 2.2.

5.2 Contents.

5.2.1 Every Schedule must contain:

- (i) Name of club.
- (ii) Type of show.
- (iii) Location and date.
- (iv) Judging order of breeds, groups or tests.
- (v) Commencing time of judging. No show may commence judging before 8.30 am unless the actual time of commencement has been printed in the schedule.
- (vi) Breed classes to be judged.
- (vii) Stakes classes to be judged (if any)
- (viii) Closing date of entries.
- (ix) Mailing address for entries.
- (x) Entry fees.
- (xi) Name of club or person to whom cheque is to be made out to.
- (xii) Name of all judges and, for overseas judges, and for overseas judges the country or state on whose panel every judge is listed (or in the case of countries not issuing a panel, the country of origin of the judge).
- (xiii) Details of any charge for car parking.

5.2.2 The following additional information may be included:

- (i) Details of Prize Money and/or trophies.
- (ii) Catalogue details.
- (iii) Catering details.
- (iv) Whether or not a ramp is available for the show

5.3 Prior approval of New Zealand Kennel Club is not necessary for Schedules for Ribbon Parades, Obedience Ribbon Trials or Agility Ribbon Trials.

5.4 Societies shall accept entries for all recognised breeds listed by the New Zealand Kennel Club and catered for by that society.

5.5 Schedules for all Championship Shows, Championship Obedience Tests or Agility Events conducted by All Breed, Group, Multi-Breed or Specialist Breed Clubs must be published in the New Zealand Kennel Gazette.

6. DEFINITIONS OF BREED CLASSES PERMITTED AT ALL BREED, GROUP, MULTI-BREED AND SPECIALIST CLUB CHAMPIONSHIP AND OPEN SHOWS.

6.1 BREED CLASSES

6.1.1 No dog may be shown under the age of three calendar months.

6.1.2 In estimating the number of prizes won, all wins previous to the midnight preceding the day specified in the Schedule for closing entries shall be counted when entering for any class.

6.1.3 Definitions and class identifying number.

Dog Classes state number only; Bitch Classes state the number followed by 'a'.

Class No. 1: 'Baby Puppy Dog' - No. 1a 'Baby Puppy Bitch' (For dogs or bitches three calendar months and under six months of age, on the first day of the show).

Class No. 2: 'Minor Puppy Dog' - No. 2a 'Minor Puppy Bitch' (For dogs or bitches six and under nine months of age on the first day of the show).

Class No. 3: 'Puppy Dog' - No. 3a 'Puppy Bitch' (For dogs or bitches six and under twelve months of age on the first day of the show).

- Class No. 4: 'Novice Dog' - No. 4a 'Novice Bitch' (For Novice dogs that have not won a first prize except in a Baby Puppy Class under six months of age at any Open or Championship Show, up to the time of closing of general entries at any Recognised Show whatsoever). A Dog or Bitch must be six months of age or over on the first day of the show.
- Class No. 5: 'Junior Dog' - No. 5a 'Junior Bitch' (For dogs or bitches twelve and under twenty four months of age on the first day of the show).
- Class No. 6: 'Intermediate Dog' - No. 6a 'Intermediate Bitch' (For dogs or bitches twenty four months of age and under thirty six months of age on the first day of the show).
- Class No. 7: 'Limit Dog' - No. 7a 'Limit Bitch' (For dogs or bitches which have not won more than four Challenge Certificates up to the time of closing of general entries at any Recognised Championship Show. Overseas Champions cannot compete in Limit Class in New Zealand). A Dog or Bitch must be six months of age or over on the first day of the show.
- Class No. 8: 'New Zealand Bred Dog' - 'New Zealand Bred Bitch' (For dogs or bitches born in New Zealand six months of age and over on the first day of the show).
- Class No. 9: 'Stud Dog' (For dogs which have sired one or more registered litters) - No. 9a 'Brood Bitch' (For bitches which have whelped one or more registered litters).
- Class No. 10: 'Veteran Dog' - No. 10a 'Veteran Bitch' (For dogs or bitches seven years or over on the first day of the show).
- Class No. 11: 'Open Dog' - No 11a 'Open Bitch' (For dogs or bitches six months of age and over on the first day of the show).

The above class identification numbers for breed classes for dogs and bitches must be used on Show Schedules, to identify the breed class.

6.1.4 All Breed and Group Clubs.

The maximum number of breed classes permitted at Championship Shows and Open Shows conducted by All Breed Clubs and by Group Clubs will be seven breed classes, which must include the following four breed classes:-

- Puppy (Class Nos. 3 and 3a)
- Junior (Class Nos. 5 and 5a)
- Intermediate (Class Nos. 6 and 6a)
- Open (Class Nos. 11 and 11a)

6.1.5 Multi-Breed and Specialist Clubs

Multi-Breed and Specialist Clubs may select any of the breed classes listed in paragraph 6.1.3 above for inclusion at their Championship and Open Shows provided that the following four breed classes be included:-

- Puppy (Class Nos. 3 and 3a)
- Junior (Class Nos. 5 and 5a)
- Intermediate (Class Nos. 6 and 6a)
- Open (Class Nos. 11 and 11a)

6.1.6 Group and In Show Judging

At all multi-breed, Group or All Breed shows all breed classes scheduled and held pursuant to sections 6.1.4 and 6.1.5 hereof must be carried through to In Group and In Show judging (if applicable).

6.2 RIBBON PARADES

The breed classes defined in 6.1.3 above may also be permitted at Ribbon Parades conducted by All Breed, Group, Multi-Breed and Specialist Clubs. Baby puppies (as defined in Regulation 6.1.3) may also be exhibited in breed classes 4 – 4a and 7 – 7a.

7. DEFINITIONS OF STAKES CLASSES PERMITTED AT ALL BREED, GROUP, MULTI-BREED AND SPECIALIST CLUB CHAMPIONSHIP AND OPEN SHOWS.

7.1 General.

- 7.1.1** Clubs may only hold the Stakes Classes permitted under these Regulations at any Recognised Show.
- 7.1.2** Unless specifically exempted all dogs entered into a Stakes Class must be entered into a breed class. Neutered Dogs and Spayed bitches exhibited at Championship Shows are specifically exempted from the provisions of this sub-clause. At Championship shows where Obedience Tests are also scheduled it is not necessary for a dog to be entered in a breed class to compete in an obedience test.
- 7.1.3** Any Stakes Class may be divided by either age, sex or variety but under no circumstances will the winners of each division be permitted to compete for a Best of Stakes.
- 7.1.4** Any Puppy Stakes Class must clearly define the age of the entries.
- 7.1.5** In any stakes classes where three or more dogs are involved in each entry the club running the show may stipulate in the schedule either that each dog requires an individual handler or that more than one dog may be handled by one handler. If it is not stipulated more than one handler may be used.
- 7.1.6** At All Breeds Championship Shows, All Breeds Stakes Classes may be judged by a person listed on one or more of the Championship Show Group Panels.
- 7.1.7** At any show other than an All Breeds Championship Show any persons listed on the All Breeds, Championship Group, or Open Show Judges Panel may judge any Stakes Class.
- 7.1.8** The club when contracting an overseas judge to officiate in a Stakes Class must forward a list of all Stakes Classes to be judged at the time of issuing the invitation.

7.2 Standard Stakes Classes.

A. Imported

For dogs bred outside New Zealand.

B. New Zealand Bred

For dogs bred in New Zealand

C. Local

For dogs residing within a radius of 55 kilometres of the show.

D. Visitors

For dogs residing outside a radius of 55 kilometres of the show.

E. Members

For dogs belonging to current financial members of the club only.

F. Field Trial

For dogs which have won prizes, awards of honour, diplomas of merit or certificates of merit in actual competition at a Field Trial held under the rules of the New Zealand Gundog Trial Association, such class to be judged on conformation only.

G. Retrieving Trial

Open to any Gundog as listed under these regulations, and may be of a single or double bird retrieve on land as defined by the New Zealand Gundog Trial Association.

H. Brace

For two exhibits (either sex or mixed) of one breed or variety belonging to the same exhibitor either wholly or in co-ownership and handled by one handler.

I. Team Class

For three or more exhibits (either sex or mixed) of one breed or variety belonging to the same exhibitor either wholly or in co-ownership.

J. Bred and Owned

For two or more exhibits which must have been bred by and currently owned by the exhibitor.

K. Parent and Progeny

Not less than two, excluding sire or dam to enter this class. The sire or dam if over the age of seven years need not have been entered in any breed class.

L. Lineage

To include a minimum of five and not more than eight exhibits, one to be a grandparent, at least two to be the direct offspring of that exhibit and the remainder to be the issue of one or more of the aforementioned offspring. Any exhibit, if over the age of seven years need not have been entered in any breed class.

M. Breeders Stakes

Open to Breeders of any one breed, three to a maximum of five dogs or bitches not necessarily owned by the breeder but must carry the one kennel name. Any exhibit, if over the age of seven years need not have been entered in any breed class.

N. Group Stakes

Group Stakes may be held at Group or All Breed Shows. A Group Stake may be included in a show schedule only if an equivalent breed class is held.

O. All Breed Stakes

All Breed Stakes may be held at All Breed Shows. All Breed Stakes with the exception of Baby Puppy Sweepstakes may not be held at Championship Shows unless the club appoints at least two judges to officiate and an equivalent breed class is held.

P. Baby Puppy Sweepstakes

Clubs may hold a Baby Puppy Sweepstakes for puppies four to six months which can be judged concurrently with the remainder of the show or at any other time during the show that the committee may decide on.

Q. Champion Stakes

For dogs that are qualified to hold the title Champion.

The dog if over the age of seven years need not have been entered in any breed class.

R. Grand Champion Stakes

For dogs that are qualified to hold the title Grand Champion. The dog if over the age of seven years need not have been entered in any breed class.

S. Veteran Stakes

For dogs over the age of seven years. The dog need not have been entered in any breed class.

T. Neutered Dogs. For Neutered Dogs.

U. Spayed Bitches. For Spayed Bitches.

7.3 Stake Classes Based on Physical Attributes.

Specialist Breed Clubs may hold Stake Classes based on sex, variety, height, weight and/or anatomical, coat and/or colour descriptions. Any such class must be judged on the description only as defined in the New Zealand Kennel Club Standard for that breed. A dog if over the age of seven years need not have been entered in any breed class.

7.4 Condition And Presentation Classes.

Other classes permitted to be held are:-

Coursing condition, hunting condition, personality, grooming, presentation, racing condition and show condition.

The manner of adjudicating classes in this section will be at the sole discretion of the judge.

7.5 Neutered Dogs and Spayed Bitches at Championship Shows.

A Neutered Dog or Spayed bitch can be exhibited

- In any stake class for which they are eligible at any Championship Show.
- Breed classes at any Specialist Breed, Multibreed or Group club championship show where the acceptance of entry from spayed and neutered dogs has been published in the schedule for the show

This clause shall not permit the exhibition of Neutered Dogs or Spayed Bitches in any Breed Class at any other Championship Show.

7.6 Scheduling.

All Stakes Classes must be listed in the published schedule. No alteration to the conditions set out in the schedule or implied under these Regulations will be permitted.

7.7 Other Permitted Classes.

A club may apply to the Executive Council to hold any further classes.

- 7.8** Handler Classes.
Handler Classes can be held at any show without prior scheduling.
- 7.9** Parades Displays And Other Exhibitions.
Parades, Displays and other Exhibitions are permitted at shows provided no judging takes place at these events.

8. JUNIOR DOG HANDLER CLASS

- 8.1** This class will be for young persons twelve years of age and under seventeen years of age on the day of the show. The conditions under which Junior Dog Handler Class will be held at Recognised Shows only are that the Judge will consider:-
- (i) The ability of the handler to control the exhibit.
 - (ii) The ability of the handler in 'setting up' the dog as an exhibit.
 - (iii) The ability of the handler to 'gait' the dog at a desirable pace for the Judge.
 - (iv) The dress and ring demeanour of the handler.
- 8.2** The quality of the dog will not be taken into account by the Judge.
- 8.3** Junior Dog Handler Class may be judged by a person or persons other than a Judge on the official list of Judges for the particular Recognised Show.
- 8.4** Child handler class for children aged seven and under twelve years may be organised by clubs under conditions laid down by the club.
- 8.5** There will be no levy payable to New Zealand Kennel Club for Handler Classes.
- 8.6** Any National Junior Dog Handler Competition shall be conducted under special regulations set by the Executive Council for the conduct of such competition.

9. SCHEDULE OF PRIZES

- 9.1** Competition for Special Prizes:
To compete for any Special Prize or Trophy at any Championship Show, except where specifically exempted every dog must be entered and shown in at least one breed class.
- 9.2** All dogs or bitches must be awarded Best of Class before being eligible for any special trophies at any show except those listed under Regulation 7, or those specifically exempted under these Regulations.
- 9.3** No Class Prize or Special Prize, may be offered for progeny sired by a specified dog, and no prize of free service of any dog is permitted.
- 9.4** Conditions attached to the competition of any trophy or special prize shall not subsequently be altered without the consent of the Executive Council of the New Zealand Kennel Club.
- 9.5** Prize money as offered must be paid in full by the club or society holding the particular fixture, unless the previous consent of the Executive Council has been obtained to a reduction thereof.
- 9.6** Total value of prizes, excluding sponsors products, on offer at any Championship Show shall be at least 20% of the gross entry less levies.
- 9.7** All prizes shall be paid in full or delivered within 14 days of the close of the show.
- 9.8** It shall be a condition implied in every Schedule that all members of the New Zealand Kennel Club shall be eligible to enter in every Breed, Group or "In Show" class for which the dog is qualified whether or not such a member is also a member of the Society holding the show.
- 9.9** It shall be a condition implied in every Schedule that no dog beaten at the show in a class or grade shall be eligible for any award or trophy or be credited with any points for that class

10. SHOW ENTRY

10.1 Show entries

10.1.1 Mandatory Entry Conditions

- All entries for Championship and Open Shows must be on or in one or a combination of the following forms: by online if the club is using this format for the taking of entries, or, on a standard basic official entry form, that maybe a photo copy, scan copy, download or print of an official NZKC issued entry form.
- All entries must be accompanied by the appropriate entry fee
- A club cannot accept any entry later than 14 days prior to the first day of the show
- Late entries not accepted must be returned to the exhibitor immediately.

10.1.2 Optional Entry Conditions

A club may at its discretion set a policy applicable to all exhibitors for

- the acceptance of late entries
- the acceptance of informal, incomplete and partly paid entries provided however a correctly completed and fully paid entry must be received on or before time of exhibition. If such entry is not received upon the terms set by the club then exhibition will not be permitted
- permitting the alteration of classes or substitution of one entry for another
- setting a premium fee payable for all or any category of entry accepted under these conditions. Advertising in the schedule for the show of any premium payable is optional

The exhibitor of any entry made under these conditions is liable for payment in full of all entry fees including any premium charged whether the exhibit is exhibited or not.

10.1.3 Entry by New Members

- Entries by new members can be accepted with the letter "MAF" (Membership Applied For) stated in lieu of a membership number Provided that the exhibitor must produce to the secretary a confirmed membership number on or before time of exhibition. If such number is not received then exhibition will not be permitted

10.1.4 Refunds

- The club shall refund in full any entry withdrawn before the closing date for entries stated in the schedule
- With the exception of a dog withdrawn pursuant to Show Regulation 19.14.1 No refunds shall be made on any entry withdrawn after that date

- 10.2** A dog, when entered for a show, must be solely and unconditionally the property of the exhibitor or exhibitors and except when specifically exempted, must be registered at the New Zealand Kennel Club in the exhibitors name or names, but it may be sold with its engagements and exhibited by the new owner or owners subject to the new owner or owners being a member or members of the New Zealand Kennel Club or having applied for membership of the New Zealand Kennel Club and the transfer being registered previous to the show. In this case the new owner or owners are deemed to have undertaken to abide by the rules and conditions on the original entry form of the show.

10.3 Separate Entry Forms

10.3.1 Separate entry forms for each exhibit must be completed in accordance with the provisions specified thereon and signed by at least one current owner. That owner's signature shall be deemed to bind all owners of the dog to the terms and conditions of entry and the Rules and Regulations of the New Zealand Kennel Club. The New Zealand Kennel Club membership number of each and every owner must always be stated.

10.3.2 Double Shows

10.3.2.1 Where an exhibit is entered into the same class in both shows held by a recognised Club either on the same day or in consecutive days, Clubs may advertise in their schedule that one entry form shall suffice for both shows, provided the entry is completed as set out above, and appropriate fees paid.

10.3.2.2 Separate entry forms shall be required when the exhibit is entered into a different class at each show OR if an exhibit moves from one class to another due to birth dates.

- 10.4** In Obedience and Agility where the handler is not the owner of the dog (or in the case of a jointly owned dog one of the owners) the handler's name and New Zealand Kennel Club membership number must be given. The handler can be changed on the day, provided the name and New Zealand Kennel Club registered number of the new handler are given to the Secretary prior to the dog entering the ring for competition. The handler's name and New Zealand Kennel Club number must be entered in the New Zealand Kennel Club copy of the marked catalogue.
- 10.5** No dog shall be eligible to compete in any class unless the date of birth is stated on the entry form. On the day of the show any entry entered in an incorrect class may be transferred to the Open Class
- 10.6** Subject to the provisions of any agreement between the New Zealand Kennel Club and a recognised overseas Society and the exceptions provided for Ribbon Parades in Show Regulations and in 10.6.1 below only the current owner(s) as recorded in the New Zealand Kennel Club Registers who are then members of the New Zealand Kennel Club may enter a dog for a Recognised Show.
- 10.6.1 Members of the New Zealand Kennel Club Specialist Breed and Multibreed Clubs, who are not New Zealand Kennel Club members, may enter a New Zealand Kennel Club registered dog in their clubs Recognised Show where offered by way of a casual entry, with it noted on the entry form as such. A casual entry levy is paid, as set by the New Zealand Kennel Club Executive Council, and is payable to the New Zealand Kennel Club at the time of payment of the show levies.
- 10.7** It is the responsibility of all owners of dogs registered with the New Zealand Kennel Club to comply with the law regarding registration of the dog with local authorities. Any club organising a show may accept as sufficient evidence of compliance, a declaration on the official Entry Form, signed by an owner (made at the time the entry is made) certifying that the dog named in the entry form is currently registered with a local authority as required by law. The declaration must be signed before the entry can be accepted by the club. *In the case of an online entry, the IP address will serve as the signature.*
- 10.8** A dog may be entered in one breed class only at Championship Shows conducted by All Breed and Group Clubs. Unless otherwise stated in the schedule a dog may be entered in more than one class at Championship Shows conducted by Multi-Breed and by Specialist Breed Clubs, or at Open Shows and Ribbon Parades conducted by any club.
- 10.9** Levy: Show Levies shall be collected by all Societies at time of receiving general entries; the total amount of levies received shall be forwarded to the New Zealand Kennel Club no later than one calendar month from the date the show is held and be accompanied by the New Zealand Kennel Club Show Levy Calculation Form. In the case of a Championship Show the total number of dogs scheduled to be judged by each judge in breed classes must be shown.
- 10.9.1 Any society which has not paid its show levies one month after the required date will have a 10% penalty applied.
- 10.10** Dogs entered or exhibited at unrecognised shows, with the exception of a dog exhibited at a Match Competition held in accordance with clause 28 hereof, may be disqualified from entry at any shows held under permission of the Executive Council.
- 10.11** The names and addresses of exhibitors defaulting on payment of entry fees may at the request of the club conducting the show be published in the New Zealand Kennel Gazette.
- 10.12** The entry forms for all neutered dogs and spayed bitches at any Open show or Championship Show shall be endorsed with the letter D (denoting d-sexed) after the NZKC Registered number.

~~10.13~~ ~~DELETED NAF/RAF~~

11. deleted

12. JUDGING TIMETABLES

- 12.1 All judges and all exhibitors at all Championship Shows shall be sent or emailed no later than 10 days before the first day of the show a judging timetable that states
- The commencement time for judging in each ring in the show
 - A list of all breeds in the show setting out the rings in which each breed is to be judged and the order in which each breed is to be judged in each ring.
 - The numbers of exhibits entered in each breed in the show
 - A time before which judging will not commence for the judging of all stakes classes in the show.
- 12.2 The order in which breeds are judged may only be changed under exceptional circumstances arising beyond the control of the club conducting the show and at the discretion of the Show Manager.

13. JUDGING ORDER

Judging at Championship Shows and Open Shows must take place strictly in the following order:-

- 13.1 The breed classes for dogs will be judged in the numerical order as presently laid down in Regulation 6 hereof, At the conclusion of Judging Class 11, Open Dog, the unbeaten winners of the breed classes for dogs will be presented to the Judge for the judging of Best Dog then the second placed dog in the class from which the winner came will be brought in to compete with the remaining Class winners for Reserve Best Dog. After the Judge has selected his winners, but not before, he may (if appropriate) award a Challenge Certificate, and if the case merits it, a Reserve Challenge Award.
- 13.2 The breed classes for bitches will then be judged in exactly the same order as detailed above for dogs. After the Judge has selected his winners but not before, he may (if appropriate) award a Challenge Certificate, and if the case merits it, a Reserve Challenge Award.
- 13.3 After judging of Best Bitch and Reserve Best Bitch, the Judge will then judge Best of Breed, followed by Reserve Best of Breed, followed by the remainder of all scheduled classes in ascending numerical order excluding classes 9 and 9A which are not judged against each other.
- 13.4 The judging of Best of Group etc, will be judged at the conclusion of judging in the following order: - Best of Group and Reserve Best of Group, followed by the Best of Group for all scheduled classes in ascending numerical order.
- 13.5 Any Best of Variety Awards for Breeds in a particular Group will be judged after the conclusion of judging Best of Group etc., as detailed in sub-paragraph 13.4 above. The judging of Group Stakes will follow the judging of any Best of Variety Awards for breeds in the respective Group. Group Stakes will be judged as detailed above.
- 13.6 The judging of Best in Show etc. will take place at the conclusion of judging in the last Group in the Show and will be judged in the following order: - Best in Show and Reserve Best in Show, followed by the Best in Show for all scheduled classes in ascending numerical order.
- 13.7 Winners of Best or Reserve Best of Breed, Group and in Show level are automatically winners of their particular class (if applicable).
- 13.8 There will be no award of Best Opposite Sex at any Championship Show.
- 13.9 **Judging at the National Dog Show**
The regulations for order of judging shall not apply to National Dog Shows run by the New Zealand Kennel Club but the order of judging shall be included in the schedule.
- 13.10 **Optional Ranking Procedure for Judging Group and In Show awards at All Breeds Shows Championship Shows**
All Breeds Clubs may at their discretion adopt the following procedure for Group and In Show judging at Championship Shows.
- 13.10.1 Best of Group placings only are awarded. From the Best of Breed winners a Best of Group and Second to Fourth in Group awards are made. The Reserve of Breed does not enter the ring for Group judging.

- 13.10.2** Best in Show is awarded from the Best of Group exhibits. Second to Fourth in Show awards can at the option of the Club be awarded. The second place in Group does not enter the ring for In Show judging.
- 13.10.3** The Club may at its discretion award Puppy in Group and Puppy in Show awards. These are judged after the Group and In Show judging.
- 13.10.4** No other Group or In Show awards are made.
- 13.10.5** Clubs using this procedure must state in their schedule "Group and In Show judging will follow the ranking procedure for judging – Puppy of Group and In Show will/will not be judged.

14. RING EQUIPMENT

- 14.1** Breed Standards. A copy of the New Zealand Kennel Club Official Standards of the Breeds for every breed being judged by each judge must be available in the ring for the judges reference at the time of judging.
- 14.2** Tables. In every ring of a Championship or Open Show where a judge is entitled to ask for an exhibit to be tabled the Show Committee shall provide a stable table, with a non-slip surface of a suitable size. Under no circumstances shall it be permissible for two rings to share a table whilst judging is proceeding in both rings.
- 14.3** Any Society conducting a Championship Show which includes the judging of Poodles shall have available at the ringside for the use of the judge an official bridge type measure as approved and issued by the New Zealand Kennel Club and shall provide a level hard surface for the measuring of Poodles.
- 14.4** Ramps. At any show where a Ramp is available on the grounds, the ramp may be used at the sole discretion of the judge for those breeds listed in Appendix 1 of these regulations. The ramp may be transferred between rings. The Ramp must be constructed in accordance with the materials and dimensions as set out in Appendix 2 of these regulations.

15. SHOW CATALOGUES

- 15.1** For any Championship Show, Championship Obedience Test, Open Show, Open Obedience Trial or Agility Event held under New Zealand Kennel Club Rules and Regulations, a neatly printed or typewritten catalogue of such fixture, containing the following details must be produced and be available for purchase.
- 15.2** In the case of all Championship Shows catalogues shall include the following details:
 - (i) Registered name of dog.
 - (ii) Registered number of dog. Neutered Dogs and Spayed bitches shall be designated with the letter D (denoting de-sexed) after their number.
 - (iii) Sex of dog.
 - (iv) Date of birth of dog.
 - (v) Sire and dam of dog.
 - (vi) Name of Breeder(s).
 - (vii) Name(s) and New Zealand Kennel Club Membership Number(s) of owner(s) of dog.
- 15.3** In the case of all Open Shows, Championship Obedience Tests, Open Obedience Trials and Agility Events catalogues shall include the following details:
 - (i) Registered name of dog.
 - (ii) Registered number of dog. In the case of Open Shows only Neutered Dogs and Spayed bitches shall be designated with the letter D (denoting de-sexed) after their number.
 - (iii) Sex of dog.
 - (iv) Date of birth of dog.
 - (v) Name(s) and New Zealand Kennel Club Membership Number(s) of owner(s) of the dog.
- 15.4** At Championship Obedience Tests, Open Obedience Trials and Agility Events where the owner of the dog is not the handler, then the handler's name and New Zealand Kennel Club number shall also be shown.

- 15.5 Every catalogue shall include the name and address of the veterinary surgeon or practice appointed for that show.
- 15.6 Regardless of whether or not clubs require catalogues to be pre-ordered there must be catalogues available at the show, on the day of the show, for sale to the public and exhibitors.
- 15.7 Clubs must within 14 days of the date of the show forward to each of the judges officiating at the show marked catalogue detailing results and details of Challenges and awards made by that judge.
- 15.8 Clubs must within 14 days of the date of the show forward to the Director/Secretary of the New Zealand Kennel Club a complete neatly marked catalogue detailing results and details of Challenges and awards made at the show together with, in the case of All Breeds Clubs, a copy of a completed General Specials (Best in Show) Judges Award Record Card.
- 15.9 Any entry accepted on the basis of the member having applied for New Zealand Kennel Club membership shall have the letters "M.A.F" (meaning Membership Applied For) in lieu of a membership number entered in the catalogue. Any member entering a show on this basis must supply their membership number to the Show Secretary before they will be permitted to exhibit the dog at the show. The Show Secretary shall write the membership number in the New Zealand Kennel Club marked copy of the catalogue beside the exhibit details.

16. RECORDS TO BE RETAINED.

Clubs will retain entry forms and Judges Award Record Cards for Championship Shows and Open Shows for a period of twelve months. The entry forms and Judges Award Record Cards may then be destroyed.

17. PREPARATION OF DOGS FOR EXHIBITION

- 17.1 A dog shall be disqualified from winning or receiving a prize at any show held under New Zealand Kennel Club Rules, if it be proved to the Committee of the Show or the Executive Council of the New Zealand Kennel Club as the case may be:
 - 17.1.1 That any dye, colouring, tinting, darkening, bleaching, or other matter has been used for the purpose of lacquering or improving the colour, marking or texture of the coat of a dog.
 - 17.1.2 That any cutting, piercing, breaking by force or any kind of operation or act which destroys the tissue of the ears, or colour, or alters the anatomical formation or colour of the dog, or in any part thereof has been practised or anything done calculated in the opinion of the Executive Council of the New Zealand Kennel Club to deceive except in cases of necessary operation which must be certified by a qualified veterinary surgeon. Dew claws may be removed in appropriate breeds, and shortening the tails of dogs where called for in the Standard of the Breeds currently recognised by New Zealand Kennel Club, will not render them liable to disqualification.
- 17.2 Any dog which is suspected of having been prepared for exhibition in contravention of the above regulations may be required to be produced before a Regional Disputes Committee of the New Zealand Kennel Club convened by the President for that purpose which shall have power under this regulation to detain dogs at the expense of the New Zealand Kennel Club for further examination.

18. DRESS OF EXHIBITORS

- 18.1 Any exhibitor whose dress is considered by the Show Manager to be inappropriate or unreasonable may be barred from the ring. No exhibitor will be permitted into the Show Ring with bare feet.
- 18.2 Exhibitors must display only one number in the ring. The number must be fairly large and must be legible. Judges will be instructed to refuse to judge where two visible numbers are worn.

19. EXHIBITION OF DOGS

- 19.1 Weighing of Miniature Dachshunds
 - 19.1.1 At all Championship Shows Miniature Dachshunds will be weighed in the assembly area or immediately adjacent to the entry to the ring by the ring steward, the show manager or their representative immediately prior to entry in the ring for judging on a class by class basis. The official weighing the exhibits shall advise the judge of any over-weight exhibits.

- 19.1.2** Weighing shall be conducted on a weighing machine with a weight tray on which a Miniature Dachshund is capable of standing naturally. The scales shall be of a mechanical or digital manufacture and shall be checked prior to weighing against a standard 5.00 kg weight. It is the responsibility of the club conducting the show to provide scales in accordance with this regulation.
- 19.1.3** The scales shall be placed either on the ground on a stable hard flat surface (not grass) or on a stable table large enough to hold the scales in a stable position.
- 19.1.4** The judge shall advise any exhibitors whose dog is over the weight of 5.00 kgs. The Judge may request that any such dog be re-weighed in their presence.
- ~~**19.1.5** The judge shall have discretion at any time to disqualify any dog that is found to be overweight at the time of weighing. To be declared overweight a dog must weigh more than 5.00 kg.~~
- 19.2** Height of Toy and Miniature Poodles
- 19.2.1** Before awarding a Challenge Certificate or Reserve Challenge award at a Championship Show to a Toy or Miniature Poodle, the judge may measure the exhibit with the appropriate measure on an approved surface.
- 19.2.2** Any Toy Poodle which is measured pursuant to 19.2.1 above and found to be not under 28 cms in height at the shoulder or any Miniature Poodle which is measured pursuant to 19.2.1 hereof and found to be not under 38cms in height at the shoulder may not be awarded any Challenge award.
- 19.2.3** The owner of the dog as well as the handler on the day of the Show may be present at the measuring which shall be conducted by and at the discretion of the judge whose decision shall be final.
- 19.3** Dogs Owned Or Shown By Judges
- 19.3.1** A dog may not be exhibited at a show if a judge in any ring at that show had:-
- (i) Owned or co-owned and/or bred or jointly bred the dog within a period of nine months prior to the date of the show.
 - (ii) Shown the dog in the judging ring at a show, or received, or become entitled to receive any monetary or other reward for grooming, trimming or tending the dog (with the exception of veterinary treatment) within a period of three months prior to the date of the show.
- 19.3.2** The provisions of this regulation do not apply:-
- (i) to any dog training fixture or
 - (ii) a Judge of Junior Showmanship or Child Handler Class.
- 19.4** Dogs Owned Or Shown By Show Manager, Judges Stewards and Assembly Stewards
- 19.4.1** A Show Manager or a Judges Steward shall not handle in any Show Ring any dog at any Championship Show at which they are officiating, provided always that this sub-paragraph shall not apply where an exhibitor acts in an emergency.
- 19.4.2** An Assembly Steward shall not handle any dog at any Championship Show in the show ring for which he is stewarding.
- 19.4.3** No dog owned or co-owned by a judge's steward or assembly steward at any championship show, or by their spouse or partner, may be exhibited at the at Championship Show in the judging ring where the judge's steward or assembly steward is stewarding.

- 19.5 Professional Handlers**
- 19.5.1** Save with the express permission of the Executive Council (which will be given in the most exceptional circumstances only) no person shall pay, or otherwise remunerate any other person for handling any dog in the judging ring at a Championship Show or Championship Obedience Test.
- 19.5.2** Any dog exhibited in contravention of this regulation will be liable to disqualification and any handler shall be subject to the disciplinary provisions of the rules of the New Zealand Kennel Club.
- 19.6 Control of Exhibits**
- 19.6 Control of Exhibits**
- 19.6.1 Disabled Exhibitors**
- 19.6.1.1** At all times in the assembly area and in the ring every exhibit must be under the firm control of a handler and the lead of the dog must remain in at least one of the hands of the handler or the exhibit maybe in a crate with the approval of the Steward, from the time of entry to the assembly ring until the time of departure from the assembly ring or judging ring after judging.
- 19.6.1.2** Where physical disability of the exhibitor precludes compliance with this regulation, the show manager shall allow alternative means of complying with the intent of the regulation. This discretion is to be granted on a case by case basis.
- 19.6.2** Subject to 19.6.1 above, at any Championship Show, Open Show and Ribbon Parade, at all times within the area controlled by the Show Manager, every exhibit or other dog must be:-
- (i) Under the firm control of the handler or owner on a lead by the handler or owner, or
 - (ii) Secured by the collar to a fixed point and within the effective control of the handler or owner, or
 - (iii) Within a closed crate, box, vehicle or other container controlled by the handler or owner.
- 19.6.3 Agent of Suspended Person**
Any member or their agent acting on their behalf, permitting, aiding or abetting any persons suspended from taking part, or participating in any show or exhibition or handling or preparing for exhibition any dog should be liable to disciplinary action.
- 19.7 Late Arrival For Judging.**
With the exception of a dog elevated pursuant to clause 19.15.1, no dog will be allowed to enter the ring for judging of the class the dog is entered in after the class has been assembled and passed by the Judges Steward to the Judge to commence judging.
- 19.8 Double Handling**
The practice of attracting the attention of a dog from outside the ring is prohibited and judges should take any such conduct into account when making their awards in judging, except at a German Shepherd Dog or Rottweiler Specialist Breed Championship Show where the dog is standing for the individual critique and only with the approval of the club and Judge concerned.
- 19.9 Distracting Attention of Exhibits**
Persons in or near the vicinity of the ring, are prohibited from deliberately distracting the attention of other exhibits in the ring.
- 19.10 Dogs Suffering From Contagious Or Infectious Disease**
A dog must not be exhibited which has been knowingly exposed to the risk of any contagious or infectious disease during a period of six weeks prior to exhibition. If any dog shall be proved to be suffering at a fixture from any contagious or infectious disease, including contagious results of inoculation against distemper, the exhibitor and the dog shall be liable to be disqualified.

- 19.11 Neutered Dogs and Spayed Bitches**
 Neutered Dogs and Spayed Bitches may be exhibited breed classes at any Specialist Breed, Multibreed or Group club Championship Show where the acceptance of entry from spayed and neutered dogs has been published in the schedule for the show.
 Neutered Dogs and Spayed Bitches are disqualified from being shown in Breed Classes at all other Championship Shows.
 A certificate of a veterinary inspector appointed by the show committee will be accepted as conclusive evidence in the event of a protest being lodged.
- 19.12 Cropped Ears**
- 19.12.1** No dogs with cropped ears may be shown at any Recognised Show in New Zealand.
- 19.12.2** The importation of dogs with cropped ears into New Zealand for breeding purposes is permitted. These dogs and their progeny are eligible to be registered with New Zealand Kennel Club and the progeny may be shown at Recognised Shows.
- 19.13 Exclusion of Dogs**
- 19.13.1 Exclusion of Dogs**
 A Show Committee or Show Manager shall have power to exclude or remove from the show grounds any dog which is owing to disease, menacing disposition, or any other cause, not in a fit state for exhibition.
- 19.13.2 Exclusion by Judge**
 An officiating judge shall have the power to exclude or remove from the ring any dog which is, owing to disease, menacing disposition, or any other cause, not in a fit state for exhibition. Any such exclusion is to be immediately reported to the show manager and recorded on the Judges Award Record Card and initialed by both the Judge and Ring Steward.
- 19.13.3 Procedure on Exclusion**
 Where an exclusion of a dog is made under Show Regulations 19.13.1 or 19.13.2 then:-
- 19.13.3.1** The club conducting the show shall immediately inform the owner and/or handler of the conditions set out 19.13.3.3 and upon the conclusion of the show notify the New Zealand Kennel Club full particulars of the exclusion
- 19.13.3.2** Upon notification by the club conducting the show the New Zealand Kennel Club will immediately write formally to the primary owner of the dog setting out the conditions of the six observations to be undertaken.
- 19.13.3.3** Any dog so excluded shall not be eligible for exhibition at any recognized fixture for a period of seven days from and including the date of exclusion and shall not be exhibited unless:
- 19.13.3.3.1 The behaviour of the dog both in and outside the ring is observed by one or, preferably, two official New Zealand Kennel Club observers at the next six shows at which it is exhibited.
- 19.13.3.3.2 No unfavourable reports are received from the New Zealand Kennel Club official observer/s at the six shows at which it is observed
- The conditions of exhibition shall cease upon the expiration of the six exhibitions pursuant to this regulation
- 19.13.3.4** If an unfavourable report is received the dog shall forthwith be declared ineligible for exhibition at any show held under New Zealand Kennel Club Rules and Regulations exhibition. The dog shall remain ineligible until the Executive Council meet following the unfavourable report.

19.13.4 New Zealand Kennel Club Official Observers

New Zealand Kennel Club Official Observers shall be appointed by the New Zealand Kennel Club to observe the behaviour of any dog pursuant to these regulations

The owner of the dog shall notify the Director/Secretary of any show they have entered requiring observation at least 14 days prior to the exhibition of the dog (except in the case of a show held within 14 days of the date of initial exclusion, in which case notification shall be immediately upon exclusion).

The Director/Secretary shall appoint an observer prior to the show and notify the exhibitor.

The observer shall report to the Director/Secretary immediately after the show with either a favourable or unfavourable report. If the report is unfavourable then the observers shall give full reasons for this, and include full details of any incident including the names of any other person involved.

19.13.5 Exclusion by Executive Council

The Executive Council may declare a dog ineligible for exhibition at any show held under New Zealand Kennel Club Rules and Regulations due to disease, menacing disposition, or any other cause.

19.13.6 Right of Review

19.13.6.1 The owner of the dog may, within 28 days of the date of

- the order for exclusion from exhibition pursuant to Regulation 19.13.1 or 19.13.2 or
- the date of being declared ineligible for exhibition pursuant to Regulation 19.13.3.4 or 19.13.5, apply for the order to be reviewed by the Executive Council.

Any such review shall be heard by the Executive Council at the first appropriate meeting of the Executive Council following the exclusion order.

19.13.6.2 Before conducting any review the President can at his absolute discretion request that a New Zealand Kennel Club investigator investigate and report on the exclusion. The Executive Council when conducting any review must consider statements from the Show Manager or judge dismissing the dog, the owner of the dog dismissed, any other member involved, the owners of any other dog involved, and any report of any New Zealand Kennel Club investigator or New Zealand Kennel Club observer appointed. All parties must be given the opportunity to be heard and to present evidence.

19.14 Withdrawal from Competition

19.14.1 Withdraw Prior to Judging at Show –

Any dog may be withdrawn from a show and, provided a request for a refund is made at the time of withdrawal, entry fees paid shall be refunded. Written application must be made to the Secretary of the Club prior to the commencement of judging of the breed concerned.

- If the judge announced in the schedule is changed
- If the dog is no longer eligible for competition due to suffering from or exposure to a contagious or infectious disease
- If the dog suffers injury or illness making it unable to attend and compete
- If in Dog Training Disciplines the entry being a bitch entered in the show comes into season

The club may require veterinary proof of any physical condition.

The club shall be entitled to deduct any New Zealand Kennel Club Show Levies paid from any refund made.

- 19.14.2** Withdrawal from competition on day of the show.
- 19.14.2.1** A dog after competing in any class at any show may be withdrawn from competition only with the permission of the Show Manager who shall consider each case in accordance with the following conditions:-
- (i) If a replacement judge is called upon to adjudicate, or if after the commencement of judging the appointed judge is unable to continue.
 - (ii) If the dog suffers some injury or illness which prevents it from being exhibited.
 - (iii) If, through an emergency beyond the control of the exhibitor that could not be foreseen by the exhibitor at the time of their arrival at the show, the exhibitor is unable to continue competition or is required to leave the show prior to judging.
- 19.14.2.2** The Show Manager may request any application to withdraw from competition to be submitted in writing.
- 19.14.2.3** A Dog may be removed immediately after the Show Manager has granted his approval.
- 19.14.2.4** The owner of a dog is not entitled to a refund of entry fees in respect of his application to withdraw his dog from competition.
- 19.14.2.5** A dog withdrawn from one class except through ineligibility is automatically ineligible to compete in any further classes at the show.
- 19.14.2.6** A dog which is withdrawn from competition without permission of the Show Manager will forfeit all prizes and awards won at the show.
- 19.14.2.7** If the committee conducting the show is satisfied upon investigation that either:-
- (a) A dog is absent from competition through no fault of the exhibitor or
 - (b) The withdrawal from competition without the permission of the Show Manager was justified then the club shall advise the Director/Secretary accordingly and no further action will be taken.
- 19.14.2.8** If there is no explanation from the exhibitor for the withdrawal from competition without the permission of the Show Manager or, if the committee conducting the show is satisfied that the withdrawal from competition without the permission of the Show Manager was not justified then:
- 19.14.2.8.** The secretary will forward to the New Zealand Kennel Club the name of any member who breaches this regulation together with a copy of the relevant entry form and a copy of the Judges Award Record Card(s) for the classes concerned together with all relevant information.
- 19.14.3** Withdrawal more than 14 days prior to the show
Any dog may be withdrawn from any show upon written application made to and received by the Secretary of the Club more than 14 days prior to the first day of the show Any entry fees paid shall be refunded provided the applicant requests the refund at the time of withdrawal of the entry. The club shall be entitled to deduct any New Zealand Kennel Club Show levies paid from any refund made.
- 19.14.4** Withdrawal from stakes classes.
A dog may be withdrawn from any Stake Class without the Show Manager's permission and without affecting its position in any other class.

19.15 Disqualifications

19.15.1 A dog which is not shown in all classes in which it is entered or eligible to compete by virtue of prior awards will be disqualified from winning any prize or award at the show. A dog will not be deemed absent from a class until the class has been assembled and is about to be passed over by the Judges Steward for the judge to commence judging. At this stage any disqualification can be made and the elevation of a lower placed dog will take effect.

19.15.2 Any dog shown and judged in an incorrect class will be disqualified and will become ineligible to compete in any further class at that show. In the case of a dog entered in a correct class but shown and judged in an incorrect class due to some act or omission by an official of the Society conducting the show or person or persons acting on behalf of that Society, then any placings of classes affected or any awards may be adjusted if practicable, by the Show Manager, provided however, that in no circumstances shall any class or award be rejudged.

19.15.3 After a dog has been disqualified a lower placed dog will only be elevated in the following circumstances:-

19.15.3.1 Where the disqualified dog also won the challenge in which case the Reserve Challenge winner, if any, will become eligible for the Challenge and to compete for Best of Breed if applicable.

19.15.3.2 Where the disqualified dog was awarded Best of Breed in which case the Reserve of Breed winner, if any, will be elevated to Best of Breed and become eligible to compete for Best of Group if applicable.

19.15.3.3 Where the disqualified dog was awarded Best of Group in which case the Reserve of Group winner, if any, will be elevated to Best of Group and become eligible to compete for Best in Show if applicable.

19.15.3.4 Where the disqualified dog was awarded Best in Show in which case the Reserve Best in Show winner, if any, will be elevated to Best in Show.

19.16 Monorchid Or Cryptorchid Dogs

19.16.1 In the case where a Judge discovers a dog over the age of nine months is either a monorchid or cryptorchid whilst judging, the Judge should immediately inform the exhibitor and report the dog to the Judge's Steward who shall report the details to the Show Secretary.

19.16.2 The Show Secretary shall within seven days of the closing date of the show furnish to the Director/Secretary of New Zealand Kennel Club and the registered owner in writing full particulars of every dog rejected by a veterinary examiner under Show Regulation 23 or by a judge of the show upon the ground that it is a monorchid or cryptorchid.

19.16.3 Upon receipt of the report pursuant to clause 19.16.2 hereof the Director/Secretary shall forthwith give notice to the owner of the dog that the register for that dog will be endorsed in the manner set out in Registration Regulation 9 (iv) (1) unless the registered owner shall within fourteen days of being given such notice object in writing to such endorsement. Any such objection shall be supported by declarations from two qualified veterinarians stating that the dog is entire. In such case the objection shall be placed before the Executive Council and the endorsement of the dog shall be suspended unless the Executive Council shall direct otherwise and the dog may be shown or bred from in the meantime as though no endorsement had taken place. The Executive Council shall have power to order such further examinations and/or make such further orders in respect of the dog as it shall think fit.

19.16.4 The provisions of this sub-clause shall not apply to Ribbon Parades or Neutered Dogs exhibited at Open Shows or Neutered Dogs Exhibited at Championship Shows in classes for which they are eligible.

19.17 Veterinary Examination

19.17.1 At the request of the Show Committee or any duly appointed Show Manager, or on the written request made to the Show Manager by any exhibitor of a dog entered at the show

or in accordance with the provisions of Regulation 23 and 24 hereof a veterinary examination of any dog entered at any show shall be carried out. The committee holding the show shall procure the attendance at the Show of one of the appointed Veterinary Surgeons (or if an appointed Veterinary Surgeon is not readily available any other Registered Veterinary Surgeon) who shall forthwith make such examination of the dog concerned for any one of the following purposes:-

19.17.1.2 To satisfy himself that the dog concerned complies in all respects with the provisions of these Regulations and in particular Regulations 17.1, 17.2, 19.10, 19.11, 19.12, 19.13.1, 19.13.2, and 19.14.2.1.(ii).

19.17.1.2 To give to the Show Committee or the Show Manager as the case may be, his written opinion as to whether any dog is blind, deaf, castrated, spayed, prepared for exhibition in contravention of the Rules and Regulations of the New Zealand Kennel Club or suffering from any illness or disease which renders it unfit for competition.

19.17.2 Any written request by an exhibitor for examination to be made shall be accompanied by a fee of \$56.25c (Inc GST)

19.18 Attendance At Shows

19.18.1 The owner of any dog entered or present at any show shall be responsible for the actions of any handler of that dog whilst it is in attendance and under the control of that handler at the show.

19.19 Endorsement of Neutered Dogs and Spayed Bitches 19.19 No neutered dog or spayed bitch shall be exhibited at any Open Show or Championship Show in any class for which it is eligible unless endorsement Neutered or Spayed has been placed on the registration records of the dog or bitch pursuant to Registration Regulations.

20. JUDGES AWARD RECORD CARD

At Championship and Open Shows conducted by All Breeds and Group Clubs, only the official New Zealand Kennel Club Judges Award Record Card may be used. However, the use of the official New Zealand Kennel Club Judges Award Record Card will be optional for Championship and Open Shows conducted by Multi-Breed and Specialist Breed Clubs.

21 JUDGES DECISION

21.1 A Judge's decision shall be deemed to be final at the termination of his judging the class, except in a case of fraud or misrepresentation.

21.2 A Judge shall be empowered to withhold any award, prize, or special prize if, in his opinion, there is lack of sufficient merit, but he must initial the Stewards entry on the Judges Award Record Card that the award, prize or special prize has been withheld.

21.3 Any alteration made by a Judge must be initialled by him, on the Judges Award Record Card.

21.4 Subject to Show Regulation 21.5 hereunder no Judge shall give any commentary, spoken or written on any dog exhibited under him at a Show during the course of that particular Show.

21.5 Where a Judge is the sole Judge at a Recognised Show conducted by a Specialist Breed or Multi Breed Club a written or spoken commentary may be given by him on dogs exhibited under him in the course of the show provided:

21.5.1 The request to give a commentary is made by the club when the invitation to judge the show is issued.

21.5.2 The Judge is completely free to accept or decline such invitation so that giving a commentary shall not be a condition of appointment to judge.

21.5.3 Where a Judge has agreed to give a commentary such information be published in the Show Schedule.

22. CHALLENGE POINTS (Championship Shows only)

- 22.1** Challenge Certificates will be offered for competition for the best of each sex for each breed or variety of breed for which a separate register is kept.
- 22.2** No exhibit under six months of age shall be awarded Challenge Certificates.
- 22.3** Judges shall withhold Challenge Certificates and/or Reserve Challenge Awards in all cases where dogs are not of sufficient merit.
- 22.4** Judges shall sign or place their signature (by personal stamp) on a Challenge Certificate provided by the Kennel Club to a dog that in their opinion is of sufficient merit to become a Champion.
- 22.5** The Show Secretary, or an officer authorised by the Show Committee, must sign the Challenge Certificate and ensure correct details of the entry winning the Challenge Certificate are entered in the appropriate spaces on the Certificate. Club Secretaries must retain uncollected Challenge Certificates for a period of twelve months after the show at which they were awarded, and upon receipt of a stamped, addressed envelope from the exhibitor, forward that exhibitor's Challenge Certificate to the exhibitor.
- 22.6** At a Championship Show a Reserve Challenge award may be made by the Judge to the runner-up to the Challenge Certificate winner if he is of the opinion that the runner-up is of sufficient merit to warrant such an award. In the event, in such a case, of the Challenge Certificate winner being disqualified, the Reserve Award winner will automatically receive the Challenge Certificate.
- 22.7** No dog or bitch refused a challenge for whatever reason, with the exception of a baby puppy that is ineligible for a challenge, shall be permitted to compete for Best or Reserve of Breed but may compete where applicable for Best of any Breed Class listed in Show Regulations 6.1.3 and/or any stake class.
- 22.8** A dog having won eight Challenge Points under at least five different Judges will be entitled, subject to the approval of the Executive Council, to the prefix 'Champion' and a Championship Certificate may be issued by the New Zealand Kennel Club provided however that it will be compulsory for the dog concerned to win at least one Challenge Certificate on/or after the age of twelve months before being granted the title of Champion.
- 22.9** After a dog has been awarded eight Challenge Points under at least five different Judges, application for Championship status may be made to the Director/Secretary of the New Zealand Kennel Club provided the original Challenge Certificates supporting the application are forwarded with the application for Championship status.

22.10 Awards of Merit.

A dog will be entitled to be awarded with the following Awards of merit .

20 Challenges	Bronze
40	Silver
50	Gold
60	Emerald
70	Sapphire
80	Ruby
90	Diamond
100	Platinum
150	Platinum Plus
200	Double Platinum

An Award Certificate does not confer the right of the use of a prefix or suffix for this certificate. Application is made by submitting the required number of original Challenge Certificates to the Director/Secretary of the New Zealand Kennel Club together with the appropriate fee.

- 22.11** Grand Champion - A dog having won 50 New Zealand Kennel Club Challenge Certificates plus three 'Best in Show' awards given under three different judges at 'All Breed Championship Shows' may upon application to the Director/Secretary of the New Zealand Kennel Club be entitled, subject to the approval of the Executive Council, to the prefix of Grand Champion (Gr. Ch.), provided

however that at least 'one' Challenge Certificate was gained after 1 January 1988 and provided also that the original Challenge Certificates supporting the application are forwarded to the Director/Secretary of the New Zealand Kennel Club.

- 22.12** Supreme Champion - A dog having won 75 New Zealand Kennel Club Challenges and 5 All Breed BIS given under five different judges at 'All Breed Championship Shows', may upon application to the Director/Secretary of the New Zealand Kennel Club be entitled, subject to the approval of the Executive Council, to the prefix of Supreme Champion (Spr. Ch.), provided however that at least 'one' Challenge Certificate was gained after 1 January 2014 and provided also that the original Challenge Certificates supporting the application are forwarded to the Director/Secretary of the New Zealand Kennel Club.
- 22.13** Specialist Grand Champion - A dog having won 50 New Zealand Kennel Club Challenge Certificates plus three 'Best in Show' awards given under three different judges at 'Specialist Breed Championship Shows' may upon application to the Director/Secretary of the New Zealand Kennel Club be entitled, subject to the approval of the Executive Council, to the prefix of Specialist Grand Champion (Spl.Gr. Ch.), provided however that at least 'one' Challenge Certificate was gained after 1 January 2014 and provided also that the original Challenge Certificates supporting the application are forwarded to the Director/Secretary of the New Zealand Kennel Club.
- 22.14** At benched shows any prize or Certificates awarded by the Judge(s) at that show may be placed over all dogs winning same before the completion of the show.

23. VETERINARY SURGEON FOR SHOWS

- 23.1** For every Recognised Show in New Zealand the Show Committee shall, at least seven days before the show, appoint at least one Registered Veterinary Surgeon who shall be available or on call to officiate as required by these Regulations or by the Show Committee.
- 23.2** Where an examination has been directed by the Show Committee or the Show Manager pursuant to Regulation 19.17 hereof then the following shall apply:-
- 23.2.1** No dog in respect of which an examination has been directed shall leave the show before the examination takes place.
- 23.2.2** The decision of the Veterinary Surgeon shall be final for the show concerned.
- 23.2.3** Where in the opinion of the Veterinary Surgeon the dog is not fit to enter or remain in the show such dog shall be disqualified from further competition at the show, and shall be isolated or removed forthwith.
- 23.2.4** Where a dog is disqualified upon the ground that it is suffering from an infectious or contagious disease, every other dog at the show owned by the same owner or exhibited by the same exhibitors or coming from the same kennels shall also be disqualified from further competition, and isolated or removed forthwith.

24 OBJECTIONS

An objection to a dog may be made by any New Zealand Kennel Club member except by one who is under a term of suspension by the New Zealand Kennel Club.

- 24.1** The objection must be in writing and delivered to the Secretary of the Show, or at his address as advertised in the schedule. If the objection is made by persons other than the Show Committee or the New Zealand Kennel Club, the sum of \$56.25c (Inc. GST) must be deposited at the same time, which shall be returned unless the objection is deemed to be frivolous, in which case it shall be forfeited. (This deposit is additional to any fee payable under Regulation 19.17.2 hereof).
- 24.2** When an objection is made against more than one dog a separate deposit must be lodged in the case of each dog. In the case of an objection to a Brace, Team, or Litter, one deposit only to be lodged.
- 24.3** The times at which an objection must be lodged are:-
- 24.3.1** If on the ground of incorrect weight - before judging of the class is concluded.

- 24.3.2 If on the ground of being improperly tampered with, or being blind, deaf, castrated, spayed, or suffering from any form of contagious disease or infectious disease - before the show or other fixture closes.
 - 24.3.3 If on the ground of being improperly prepared for exhibition - as soon as possible, but in any event before the close of the show or other fixture.
 - 24.3.4 If on any other ground - within seven days from the last day of the show or other fixture.
- 24.4 In the event of an objection being lodged under paragraphs 24.3.1, 24.3.2, and 24.3.3 the exhibit against which the objection is lodged must be kept under the supervision of the Secretary of the fixture, or some other person duly authorised by the Committee of the fixture, under such conditions as will effectually prevent the owner or any other person altering its condition until such time as the Show Manager weighs the dog in the case of an objection lodged under 24.3.1 or Veterinary Surgeon appointed shall have completed his examination, in the case of an objection under 24.3.2 or 24.3.3.
- 24.5 The Secretary of the fixture or some other duly qualified person shall notify the owner of the dog or his representative that such an objection has been made - and the nature thereof, and shall give him the opportunity of being present at the weighing or the Veterinary Surgeon's examination, which must be made in accordance with provisions of Regulation 19.17 and 23, and as soon as possible after the objection has been lodged. The person making the objection and/or the owner of the dog objected to, or his representative, shall be permitted to have the dog examined by a Veterinary Surgeon other than the appointed Veterinary Surgeon if they wish to adopt such a course, but such examination must be made at the fixture and in the presence of the Secretary of the fixture or some other person duly authorised by the Committee of the Society, or before the dog objected to has passed out of the control of the officials of the fixture, provided always that the Executive Council of the New Zealand Kennel Club may order a subsequent examination if they deem such action necessary. The report of Veterinary Surgeons thus employed shall be permitted to be produced as evidence at any subsequent hearing of the case by the Committee of the fixture. In the event of neither the owner of the dog objected to nor his representative being present at the hearing, he shall be assumed to be content with the opinion of the Veterinary Surgeon. If it be decided to employ Veterinary Surgeons not actually present at the fixture, no charge may be made for their admission thereto.
- 24.6 An owner's 'representative' shall be considered to be any person who shall be in charge of the exhibit or who shall be handling it in the judging ring.
- 24.7 An objection shall be dealt with at a meeting with the Committee as soon as practicable but in no case later than twenty eight days after being lodged.
- 24.8 A copy of the objection shall be dispatched by the Secretary, within twenty-four hours of the objection being lodged, to the registered owner of the dog at his address given on the entry form, and reasonable notice of the meeting shall be sent to any persons concerned.
- 24.9 The decision of the Committee of the society shall be communicated to parties concerned within forty-eight hours.
- 24.10 No objection shall be invalidated solely on the ground that any notice has not been duly given, or that any meeting has not been duly held under this Regulation.
- 24.11 An appeal may be made to the Executive Council of the New Zealand Kennel Club if lodged within fourteen days of the decision.

25. REPORTING OF FRAUDULENT OR DISCREDITABLE CONDUCT

The Committee of the fixture must immediately report any case of fraudulent or discreditable conduct which may come under its notice to the Director/Secretary of the New Zealand Kennel Club.

26. OPEN SHOWS

- 26.1 The Executive Council may approve any clubs Affiliated or Associated under New Zealand Kennel Club Rule 8, 9 or 10, to hold Open Shows.

- 26.2 The classes which may be held at Open Shows are as defined and limited in Show Regulations 6 and 7.
- 26.3 Any All Breed or Group Club requiring additional classes at Open Shows must apply to the New Zealand Kennel Club for approval, and if approval is granted it will be on the basis of these additional classes being permitted as Stake Classes only.
- 26.4 Before any club can hold an Open Show the New Zealand Kennel Club must grant a licence to hold the show and a show date. Applications for licences and show dates for Open Shows must be made in accordance with Show Regulation 2.1, 2.2 and 2.3
- 26.5 A draft copy of the schedule for an Open Show must be forwarded to the Director/Secretary for approval of the format of the show in accordance with Show Regulation 2.2 and 5.1.
- 26.6 Except where is otherwise provided for in these Regulations awards at Open Shows shall not be reckoned in the qualification of a dog for classes at a Championship Show.
- 26.7 Open Shows shall be held and conducted in a similar manner to Championship Shows.
- 26.8 A catalogue with minimum contents as detailed in Show Regulation 15.3 and marked in accordance with Regulation 15.7 must be forwarded to the New Zealand Kennel Club within fourteen days of the date of the Show.
- 26.9 Neutered Dogs and Spayed Bitches may compete in all classes at Open Shows

27. RIBBON PARADES

- 27.1 Any Society other than an Obedience or Field Trial Society affiliated, associated or recognised under New Zealand Kennel Club Rule 8, 9, 10 and 11 may hold Ribbon Parades.
- 27.2 Awards at Ribbon Parades shall not be reckoned in the qualification of a dog for classes at an Open or Championship Show.
- 27.3 After any Ribbon Parade is held, the Society organising the Parade will provide the New Zealand Kennel Club with a copy of the schedule which has the date, venue and judges of the Ribbon Parade.
- 27.4 The classes and order of judging at Ribbon Parades will be in the general order as laid down in these Show Regulations.
- 27.5 A charge may be made for entry to Ribbon Parades.
- 27.6 The prizes must be ribbons rosettes or cards only.
- 27.7 A dog exhibited at a Ribbon Parade held under New Zealand Kennel Club Rules need not be registered with the New Zealand Kennel Club, but if registered, must be shown under its New Zealand Kennel Club registered name and ownership.
- 27.8 One judge only will be permitted to judge Best on Parade.
- 27.9 A Society organising a Parade may if it wishes post a schedule to exhibitors for the Parade giving general details of the classes to be held and closing date for entries and requiring that entries be forwarded on the official New Zealand Kennel Club entry form. It is not necessary to obtain approval for such schedules but a copy of the schedule shall be forwarded to the New Zealand Kennel Club for record purposes, provided however whether or not a Society posts a schedule to exhibitors for entries for Parades, all Societies must accept entries at the Parade on the day of the Parade up to a time laid down for closing of entries.
- 27.10 There will be no surcharge or late entry fee charged for entries on the day of the show when schedules are printed for Ribbon Parades detailing an entry fee. The entry fee will be the entry fee detailed in the schedule, regardless of whether the dog is entered prior to the date of the show or at the show.
- 27.11 At a Ribbon Parade a Champion or dog entitled to apply for the title of Champion (including overseas

Champions) may only be exhibited in Stake Classes defined in 7.2 K, 7.2 L, 7.2 M, 7.2 Q, 7.2 R, 7.2 S or 7.3.

27.12 The owner of any dog exhibited at a Ribbon Parade is not required to be a member of the New Zealand Kennel Club.

27.13

27.14 Neutered, monorchid or cryptorchid dogs and spayed bitches may compete at Ribbon Parades.

27A SUPPORTED SHOWS

27A.1 A supported show is when a breed or breeds are featured at a Championship Show with special classes, awards and trophies and can include judging by a separate judge in a separate ring.

27A.2 Any All Breeds, Group or Multi Breed club can run a supported show as part of a Championship Show being conducted by that club

27A.3 A supported show is part of the Championship show being supported. Judging in the breed featured is part of, not in addition to, the judging at the show being supported.

27A.4 A supported show can be sponsored by any specialist breed club.

27A.5 The judge at a supported show must have a special connection with the breed being featured.

27A.6 Extra Stake classes can be scheduled exclusively for the breed or breeds being featured at a supported show

27A.7 It is optional for a separate schedule to be issued for the breed or breeds being featured at a supported show with separate condition from those laid down in the main schedule for the show. The main schedule, must refer to any special schedule if one is published

27A.8 A separate management team can manage the breed being featured at a supported show. The show is conducted by and in the name of the club running the supported show which is responsible for all obligations under New Zealand Kennel Club rules and Regulations.

27B SUPPORTED ENTRY

27B.1 A supported entry is when a breed or breeds are featured at a Championship Show and can include special awards and trophies as sponsored and can include judging by a separate judge in a separate ring.

27B.2 Any All Breeds, Group or Multi Breed Club can run a supported entry as part of the Championship Show being conducted by that club.

27B.3 A supported entry can be sponsored by any NZKC affiliated, associated, recognised club or any individual or group of individuals.

27B.4 Trophies and special awards can only be provided for any class that the host show has scheduled.

27B.5 It is optional for a separate schedule to be issued for the breed or breeds being featured. The host clubs schedule must refer to any special schedule if one is published.

27B.6 A separate management team can manage the breed being featured. The supported entry is conducted by and in the name of the host club.

28. REGULATION FOR THE CONDUCT OF MATCH COMPETITION AND OTHER SPECIAL EVENTS

28.1 Subject to Clauses 28.5 and 28.7 hereof the approval of the New Zealand Kennel Club is not required for a Match Competition.

28.2 Subject to Clause 1.10 hereof societies Affiliated, Associated or Recognised by the New Zealand Kennel Club may conduct Match Competitions. Societies not recognised by the New Zealand Kennel Club may compete in or organise Match Competitions.

28.3 The Judge can be any person not being a disqualified person under the Rules and Regulations of the New Zealand Kennel Club.

- 28.4 The conditions to govern any Match Competition are to be agreed to by the Societies and/or individuals competing before the Match Competition commences.
- 28.5 Conditions governing events which require entry before the day of competition shall be subject to the prior approval of the Executive Council.
- 28.6 Under no circumstances can a Match Competition be run in accordance with the judging order set out in Regulation 13, but must be conducted as an elimination contest.
- 28.7 The Executive Council can approve the conduct of special events.

29. REGULATIONS FOR THE GUIDANCE OF WORKING GUNDOG CLUBS

- 29.1 The Executive Council of the New Zealand Kennel Club, at a meeting held on 26 May 1936, delegated power to the New Zealand Gundog Trial Association Executive, under approved Rules and Regulations for the conduct and control of Field and Water Trials for Working Gundogs.
- 29.2 Copies of such Rules and Regulations for Field Trials may be obtained from the Secretary of the New Zealand Gundog Trial Association on payment of the necessary fee.
- 29.3 The New Zealand Gundog Trial Association shall approve Special Rules for Championship Field Trials.
- 29.4 Standard sets of points for various Field Trials approved by the New Zealand Gundog Trial Association shall be incorporated in the Association's Rules.
- 29.5 Financial members of clubs affiliated to the New Zealand Gundog Trial Association only are eligible to compete for Challenge Certificates.
- 29.6 Only purebred dogs and bitches, registered with the New Zealand Kennel Club are eligible to win the title of Field Trial Champion, Grand Field Trial Champion, Field Champion and Grand Field Champion.
- 29.7 All dogs competing for Field Trial Challenge Certificates must be registered with the New Zealand Kennel Club prior to such Field Trials taking place.
- 29.8 The Judge or Judges may withhold any Certificate if the standard of work is in his or their opinion of insufficient merit.
- 29.9 The New Zealand Gundog Trial Association may issue a certificate bearing the title Field Champion to a dog or bitch having won two natural game challenge certificates under at least three judges. A certificate bearing the Title Grand Field Champion will be issued to a dog or bitch that wins eight natural game challenge certificates. Before a natural game challenge certificate can be issued a minimum of five dogs in separate ownership must compete in the Trial.
- 29.10 The New Zealand Gundog Trial Association may issue the following certificates:
 - d) Field Trial Champion
A dog/bitch must win six challenge points under at least two separate Judges to entitle it to the title of Field Trial Champion (FTCh). One at least of these challenge points must be won away from its owner's home Club.
 - e) Grand Field Trial Champion
A dog/bitch gaining 20 challenge points becomes a Grand Field Trial Champion (GFTCh)
Challenge points won at Championship Field Trials and a maximum of two Championship Natural Game Field Trials are cumulative towards these titles.
 - f) Field Champion
A dog/bitch must win two Natural Game Challenge Points under at least three different Judges to entitle it to the title of Field Champion (FCh). A minimum of five dogs in separate ownership must compete in a trial before a challenge certificate can be issued to the winning dog.
 - g) Grand Field Champion
A dog/bitch winning eight natural game challenge certificates is entitled to the title of Grand Field Champion (GFCh)

- 29.11** The New Zealand Gundog Trial Association may issue a Challenge Certificate to a dog or bitch having won any Championship Trial certifying to such win and stating the number of Challenge points won.
- 29.12** The New Zealand Gundog Trial Association may issue a Qualifying Certificate to any dog or bitch who meets the criteria set out in the Association's Rules.
- 29.13** A Gundog Club conducting a gundog trial may issue a certificate of merit to placed dogs.
- 29.14** The following breeds of dog are deemed to be Gundogs for the purposes of competing in Field Trials, and, for the purposes of special breed trials are deemed to be classified in the groups hereunder indicated, viz:
Group I: Pointers and Setters: English Setters, Gordon Setters, Irish Setters, Irish Red and White Setters, Pointers, German Shorthaired Pointers, German Wirehaired Pointers, Weimaraners, Hungarian Vizslas, Brittanys, Large Munsterlanders.
Group II: Retrievers: Curly-Coated Retrievers, Flat-Coated Retrievers, Golden Retrievers, Labrador Retrievers, Chesapeake Bay Retrievers and Irish Water Spaniels
Group III: Spaniels: Clumber Spaniels, Cocker Spaniels, Sussex Spaniels, Welsh Springer Spaniels, English Springer Spaniels, American Cocker Spaniels
- 29.15** The New Zealand Gundog Trial Association shall forward copies of Remits and notify the Director/Secretary of New Zealand Kennel Club of the date of its Annual General Meeting, and the dates of its Championship Field Trials.
- 29.16** All protests shall be dealt with in accordance with the Rules and Regulations of the New Zealand Gundog Trial Association.
- 29.17** Final Court of Appeal - Subject to the Rules and Regulations of the New Zealand Gundog Trial Association, the final court of appeal shall be the New Zealand Kennel Club Executive Council, and on the hearing of any appeal the Association shall be represented.
- 29.18** The New Zealand Gundog Trial Association is entitled to put forward Remits to the Annual Conference of Delegates to the New Zealand Kennel Club and to appoint four representatives to speak to and vote on all remits.
- 30.1** Challenge Certificates shall be offered by the New Zealand Kennel Club for competition during the racing year 1 April - 31 March for the following Lure Drag Racing Classes over a distance of 230 metres.
- 30.2** Classes.
Class A Weights - below 11 kg.
Class B Weights - between 11 kg and 13 kg.
Class C Weights - between 13 kg and 15 kg.
- 30.3** Calculation of times.
30.3.1 The fastest four racing times will be averaged to calculate the winning dog.
30.3.2 The fastest three racing times will be averaged to calculate the winning bitch.
- 30.4** Any dog/bitch winning two Challenge Certificates in consecutive years will be awarded the title Racing Champion and may carry the prefix - Racing Champion - before its name.
- 30.5** Racing Conditions - Conditions for conducting races were registered with the New Zealand Kennel Club in April 1984 and may only be altered with the consent of Executive Council.

31. SIGHTHOUND COURSING

- 31.1** Purebred sighthounds, as recognized by the New Zealand Kennel Club, and selected breeds approved by the New Zealand Kennel Club are eligible for competition for the title of Coursing Champion.
- 31.2** Hounds gaining 100 points, upon application to and approval by the New Zealand Kennel Club, are awarded the title of Coursing Champion (suffix CCh).
 - a)** Points are awarded for Best of Breed, Reserve Best of Breed, Best in Field and Reserve Best in Field.
- 31.3** Coursing Conditions – Conditions for conducting Coursing Meets were registered with the New Zealand Kennel Club in September 2010 by the Sighthound Field Coursing Club, and may only be altered with the consent of Executive Council.

32. CATS

The New Zealand Kennel Club may approve the inclusion of classes for cats upon application.

Appendix 1

RAMP BREEDS

(List of breeds permitted to be Judged on a Ramp)

Terrier Breeds

Irish Terriers
Kerry Blue Terriers
Soft Coated Wheaten Terrier
Staffordshire Bull Terrier

Working Dogs

Norwegian Buhund
Polish Lowland Sheepdog

Gundog Breeds

Clumber Spaniel
Field Spaniel
Sussex Spaniel
Welsh Springer Spaniel

Non Sporting

Bulldog
Chow Chow
Keeshonden
Shar Pei

Hound Breeds

Basset
Hound Whippet
(Optional)

NZKC Show Regulations.

14.4 Ramps. **At any show where a Ramp is available on the grounds, the ramp may be used at the sole discretion of the judge for those breeds listed in this appendix.** The ramp may be transferred between rings. **The Ramp must be constructed in accordance with the materials and dimensions as set out in Appendix 2 of these regulations.**

Ramps can be used in an emergency situation to judge any breed.

Designated ramp breeds may be examined on the ground or on a ramp during breed judging according to the sole discretion of the judge and not the exhibitor. The entire entry in that breed is to be examined on the ground or on a ramp. However the ramp is not intended to be used during the group and/or Best in Show judging.

Emergencies

In emergency situations, with the approval of the Show Manager, breeds customarily examined on the ground may be examined on a ramp, not on a table. An emergency is defined as a temporary condition that arose immediately prior to or at a dog show. Convalescence from a medical procedure, illness and recuperation from injuries are examples of conditions that are not emergencies. The emergency use of a ramp may be allowed on a day and may be extended to include a cluster as well as judging either a group and/or Best in Show.

Appendix 2

JUDGING RAMP SPECIFICATIONS

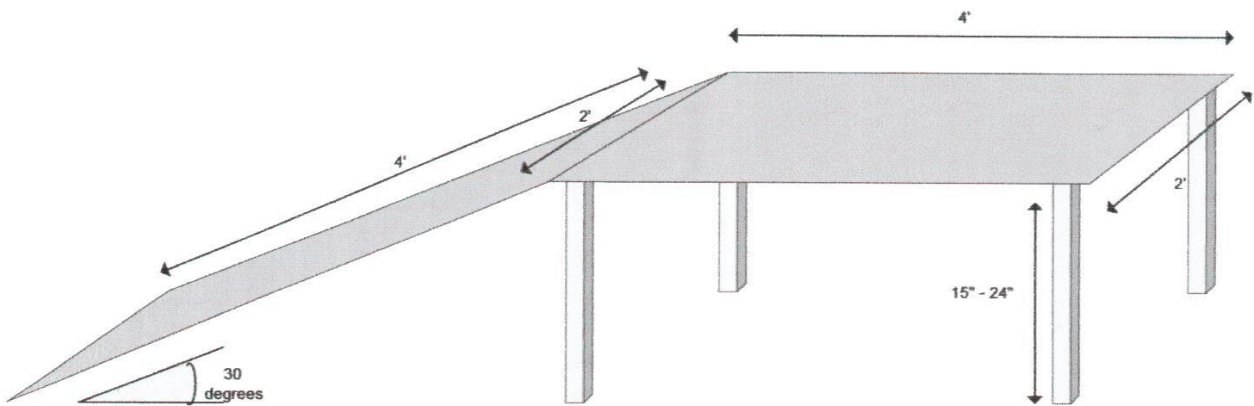
Construction: Any stable material may be used including the use of folding legs.

Surface: Rubber-matted

Length: 4 feet (122 cm)

Width: 2 feet (61 cm)

Height: 15 – 24 inches (38 – 61 cm)



SHOW REGULATION INDEX

Additional judging appointments - distance and time	4.8
Agility - Catalogues	15
Agility Ribbon Trials - notification of	2.2.4
Agility - show dates	2.1.4
Agility Events and Ribbon Trials - Judges contracts	4.9
All Breeds Championship Show – definition	1.4
All Breeds Championship Show - limit on number of classes	6.1.4
Alteration of show date	2.1.3
Approval of show date & Licence to hold shows	2.1
Approval of format of show	2.2
Approved entry form	10.6
Arrival (late) - for judging	19.7
Assembly Stewards - dogs owned by	19.4
Attention of exhibits – distracting	19.9
Australian Judges - approval to judge	4.6.1
Australian exhibitors - entry from	10.15
Award – definition	1.20
Awards of Merit	22.10
Baby Puppies - registration number (R.A.F.)	10.2
Beaten dogs - ineligible for awards	9.9
Benched Show – definition	1.12
Best In Show - All Breeds Championship – Judge	4.3.1
Best In Show - Group or Multi-Breed – Judge	4.3.3
Best in Show - order of judging	13.6
Best Opposite Sex	13.9
Best of Breed - order of judging	13.3
Best of Group – Judge	4.3.3
Best of Group - order of judging	13.4
Best of Variety - order of judging	13.5
Breed Classes	6.1
Breed Classes – definition	6.1.3
Breed Classes - mandatory classes	6.1.4 & 6.1.5
Breed Classes - order of judging	13.1 & 13.2
Breed Standards - available for judge	14.1
Cancellation of show	3
Cash prize	9.5
Castrated dogs	19.11 & 27.13
Catalogues	15
Catalogues – availability	15.6
Catalogues - details to include	15.2, 15.3, 15.4 &
Catalogues - for sale	15.6
Catalogues - judges copy – marked	15.7
Catalogues - N.Z.K.C. copy – marked	15.8
Catalogues - Obedience and Agility	15.3 & 15.4
Cats	32
Challenge Certificates	22
Challenge Certificates - award by judge	13.2 & 22.4
Challenge Certificates - club officials signature on	22.5
Challenge Certificates - for Toy and Miniature Poodles	19.2.1 & 19.2.2
Challenge Certificates – uncollected	22.5
Challenge Certificates - withheld because under age	22.2
Challenge Certificates - withheld by judge	22.3 & 22.6
Challenge Certificates - withheld from Societies	2.1.1.4
Challenge Points	22
Champion (title) - application for	22.9
Champion (title) - qualifications for	22.8
Champions - at Ribbon Parades	27.11
Championship Certificates	22.8

Championship Shows – catalogue	15.1
Championship Shows - approval of format	2.2
Change of judge	4.10
Child Handler Class	8.4
Class – definition	1.19
Classes - Breed – definitions	6.1.3
Classes - Breed – mandatory	6.1.4 & 6.1.5
Classes - Breed - number permitted.....	6.1.4 & 6.1.5
Classes - Ribbon Parades	6.2
Classes – Stakes	7
Classes - Stakes – definitions	7.2
Classes Shows	2.6
Co-owned – definition.....	1.17
Commencing time – judging	5.1.1
Commentary - in ring	21.4 & 21.5
Committee - communicating hearing decision	24.9
Committee - hearing objection	24.7
Competition - in Stakes Classes	7.1.2
Competition - withdrawal from.....	19.14
Conflicting dates.....	2.4
Consolation in Show	13.8
Contagious disease.....	19.10
Contracts – Judging	4.9
Control of exhibits.....	19.6
Critique - in ring.....	21.4 & 21.5
Cropped ears	19.12
Cryptorchid dogs	19.16
Cryptorchid – definition.....	1.18
Dachshund - weighing of Miniature Dachshunds	19.1
Date of birth - on entry form	10.7
Dates – conflicting	2.4
Dates - shared - criteria and consents.....	2.3
Dates – shared.....	2.3
Default - in payment of entry fees.....	10.14
Definitions.....	1
Definitions - Breed Classes	6.1.3
Definitions - Stakes Classes.....	7.2
Dew claws	17.1.2
Discreditable or fraudulent conduct.....	25
Disease - contagious or infectious.....	19.10 & 19.13
Displays and other exhibitions.....	7.9
Disqualifications	19.15
Disqualifications - elevation of Reserves.....	19.15.3
Disqualifications - for improper preparation for exhibition	17
Distance and time - additional judging appointments.....	4.8
Distracting attention - of exhibits	19.9
Docked tails.....	17.1.2
Dogs - control of.....	19.6
Dogs - exclusion of.....	19.3
Dogs - owned or shown by Judges	19.3
Dogs - owned or shown by Stewards.....	19.4
Dogs - savage disposition	19.13
Dogs - suffering contagious or infectious disease	19.10
Double handling	19.8
Draft schedules	5.1
Dress of exhibitors.....	18
Dress of exhibitors – inappropriate.....	18.1
Ears – cropped	19.12
Entire – definition.....	1.18
Entry	10
Entry - at Ribbon Parades	27.9

Entry - at unrecognised show	10.13
Entry - by Australian exhibitor	10.5
Entry – Casual.....	10.6.1
Entry - current owner(s) - member(s) of New Zealand Kennel Club.....	10.8
Entry - eligibility for.....	10.1 & 10.11
Entry - in incorrect class.....	10.7
Entry – late.....	10.3
Entry – partnership.....	10.4
Entry - refusal of.....	10.10
Entry fee - default of payment.....	10.14
Entry fee - refund of.....	19.14.2.2
Entry forms - date of birth.....	10.7
Entry forms - declaration of local authority compliance.....	10.9
Entry forms - handlers name and N.Z.K.C. membership number.....	10.5
Entry forms – retained.....	16
Entry forms - separate for each entry	10.4
Entry forms - single signature on behalf of owner(s)	10.4
Entry forms - use of approved forms.....	10.6
Examination – veterinary	19.17 & 23
Exclusion of dogs	19.13
Exhibit – definition	1.15
Exhibition of dogs.....	19
Exhibition of dogs - at unrecognised shows.....	10.13
Exhibition number – display	18.2
Exhibitor – definition.....	1.13
Exhibitors dress.....	18.1
Exhibitors footwear.....	18.1
Exhibitors numbers	18.2
Exhibits - control of.....	19.6
Fee – entry.....	10.2
Fees and expenses – judges	4.11
Field and Water Trials – definition	1.11
Field Trials.....	29
Fixture – definition.....	1.1
Footwear – exhibitors.....	18.1
Forfeit of prizes on unauthorised withdrawal from competition	19.14.2.6
Form of draft schedule	5.2
Format of show - approval of	2.2
Fraudulent or discreditable conduct.....	25
Grand Champion.....	22.10
Group Championship Show – definition	1.5
Group Championship Show - limit on number of classes	6.1.4
Group judging.....	6.1.6
Group Stakes - order of judging.....	13.5
Gundog Trials.....	29
Gundog Trials – Judges.....	4.1.3
Handler – definition	1.14
Handler - more than one in specified stakes classes	7.1.5
Handler classes	7.8 & 8
Handler classes - N.Z.K.C. levy	8.5
Handlers – professional.....	19.5
Height - of Toy and Miniature Poodles.....	19.2
Improper tampering.....	17.1.1
In Show judging	6.1.6
Incorrect class - entry in.....	10.7
Incorrect class - dog shown in	19.15.2
Infectious disease	19.10
Judges.....	4
Judges - additional appointments	4.8

Judges - approval of Australian Judges.....	4.6.1
Judges - approval of New Zealand Judges	4.3 & 4.5
Judges - approval of Overseas Judges	4.6
Judges Award Record Cards	20
Judges Award Record Cards – retained.....	16
Judges Award – withheld	21.2
Judges - Best in Show - All Breeds Championship Show	4.3.1
Judges - Best in Show - Group or Multi Breed Championship Show	4.3.4
Judges - Best of Group	4.3.3
Judges - change of judge	4.10
Judges commentary.....	21.4 & 21.5
Judges decision	21
Judges decision – alteration	21.3
Judges - dogs owned by	19.3
Judges - fees and expenses	4.11
Judges - Match Competitions	28
Judges - Open Shows	4.3.5
Judges Panels	4.1
Judges - Ribbon Parades.....	4.3.6
Judges Stewards - dogs owned by	19.4
Judges travel.....	4.12
Judging appointments	4
Judging contracts	4.9
Judging - late arrival for.....	19.7
Judging order	12.1, 12.2 & 13
Judging order - Breed Classes	13.1 & 13.2
Judging order - Bests of Breed.....	13.3
Judging order - Bests of Group	13.4
Judging order - Bests of Variety.....	13.5
Judging order - Bests in Show	13.6
Judging timetables	12
Junior Dog Handlers Class.....	8
Junior Dog Handlers Class - criteria for judging	8.1 & 8.2
Junior Dog Handlers Class – Judge	8.3
Junior Dog Handlers Class – levy	8.5
Junior Dog Handlers Class - National Competition	8.6
Late arrival - for judging.....	19.7
Late entries	10.3
Levy - on entries	8.5 & 10.12
Licence to hold show – application.....	2.1.1
List of breeds entered - for judge of show	11
Local authority registration compliance	10.9
Mandatory classes.....	6.1.4 & 6.1.5
Marked catalogues.....	15.7 & 15.8
Match Competition	28
Match competition – definition.....	1.10
Measure – Poodle.....	14.3 & 19.2
Membership number - in catalogue	15.2 & 15.9
Membership number - on entry form	10.2
Miniature Dachshunds - weighing of	19.1
Miniature Poodles - measuring of	14.3 & 19.2
Missing date of birth - on entry form	10.7
Monorchid – definition	1.18
Monorchid dogs.....	19.16
Multi-Breed Championship Show – definition.....	1.6
National Show	2.6
Naitonal Show - Specialist Breed - application and criteria	2.5
New Zealand Gundog Trial Association	29.1
New Zealand Judges - approval to judge	4.3 & 4.5
Neutered dog & spayed classes	7.5, 19.11, 26.9 & 27.13

Not fit for exhibition – dogs	19.13
Number of classes permitted	6.1.4 & 6.1.5
Number of dogs entered - list for judges	11
Number of dogs entered - list for exhibitors	12
Number to be worn	18.2
Obedience and Agility - approval of format of show	2.2
Obedience – catalogues	15.3
Obedience - competitors need not enter Breed Classes	7.1.8
Obedience and Agility – Judges	4.1.2
Obedience Clubs - show dates	2.1
Obedience Ribbon Trials - notification of	2.2.4
Objections	24
Objections - appeal to Executive Council against Committee decision	24.11
Objections – fee	24.1 & 24.2
Objections - in writing	24.1
Objection - not invalidated	24.10
Objections - Show Secretary's responsibilities	24.5
Objections – time	24.3 & 24.7
Open Show – definition	1.8
Open Shows	26
Open Shows - additional classes	26.3
Open Shows - application for	2.1.1.3
Open Shows - approval of format	2.2
Open Shows – awards	26.6
Open Shows – catalogues	15.3
Open Shows – classes	26.2
Open Shows – judges	4.3.5
Open Shows - manner of conducting	26.7
Order of judging	12.1, 12.2 & 13
Order of judging - changes to	12.2
Other permitted classes	7.7
Overseas Judges - approval to judge	4.6
Owned – definition	1.17
Owned by judge (dogs)	19.3
Owned by stewards (dogs)	19.4
Owner of dog – entry	10.1 & 10.8
Parade – definition	1.9
Parade - non-competitive	7.9
Partnership entries	10.4
Permitted classes – other	7.7
Poodle heights	19.2
Poodle measures	14.3 & 19.2.1
Poodles - measuring of	19.2
Preparation of dogs for exhibition	17
Previous wins	6.1.2
Prize – definition	1.21
Prize Money - payment of	9.5
Prizes - beaten dogs ineligible for	9.9
Prizes - displayed at show	22.1
Prizes - minimum total value	9.6
Prizes - payment or delivery deadline	9.7
Prizes - Ribbon Parade limitations	27.6
Prizes - schedule of	9
Professional handlers	19.5
Publication of schedules	5.4
Racing Whippets	30
Recognised Show – definition	1.2
Records - time to be kept	16
Refund - of entry fee	19.14.1.2
Refusal of Challenge Certificate	22.2 & 22.7

Refusal of entry	10.10
Regulations for guidance of Gundog Clubs.....	29
Registration Applied For (R.A.F.) - Baby Puppies.....	10.3
Replacement judge.....	4.12.3, 19.14.1.1 & 19.14.2.1 (i)
Reserve - elevation of	19.15.3
Reserve Challenge Certificate.....	22.6
Ribbon Parades	27
Ribbon Parades - notification of.....	2.2.4 & 27.8
Ribbon Parades - Best on Parade judge	4.3.7 & 27.8
Ribbon Parades - Champions at	27.11
Ribbon Parades – classess.....	6.2
Ribbon Parades - entry on day.....	27.10 & 27.11
Ribbon Parades - exhibition of monorchids and cryptorchids	19.16.4
Ribbon Parades - exhibition of unregistered dogs.....	27.7
Ribbon Parades – judge	4.3.7 & 27.8
Ribbon Parades – prizes	27.6
Ribbon Parades – schedules.....	5.3 & 27.9
Ring equipment	14
Ring (or Judges) Stewards - Dogs owned by.....	19.4
Sales of catalogues	15.6
Savage disposition - of dog	19.13
Schedules.....	5
Schedules - approval of format	5.1
Schedules - breeds for which entries must be accepted.....	5.4
Schedules – contents.....	5.2
Schedules – draft	5.1
Schedules - publication of	5.5
Schedules - Ribbon Parade.....	5.3 & 27.9
Separate entry forms.....	10.4
Shared dates	2.3
Shared dates - criteria and consent	2.1.2.5
Show approvals.....	2
Show catalogues.....	15 (see also under Catalogues)
Show - cancellation of	3
Show dates – Agility.....	2.1.4
Show dates - alteration of	2.1.3
Show dates - application for - All Breeds Championship Shows.....	2.1.2.1
Show dates - application for - Associated Club Championship Shows	2.1.2.2
Show dates - application for Open Shows.....	2.1.2.3
Show dates - Championship Shows - priorities observed for allocation.....	2.1.2.3
Show dates - conflicting dates	2.4
Show dates - Obedience Clubs.....	2.1.4
Show dates - priorities observed.....	2.1.2.4
Show dates – sharing.....	2.1.2.5
Show entry	10
Show judges.....	4.1.1
Show levy	10.12
Sighthound Coursing.....	31
Sighthound Coursing Champion.....	31.1 & 31.2
Signature - on entry forms.....	10.4
Society – definition	1.16
Spayed and neutered dog classes	7.5, 19.11, 26.9 & 27.13
Special events	28
Special prizes.....	9.1
Specialist Breed Championship Show – definition	1.7
Specialist Breed judges.....	4.3.6
Specialist Breed National Shows - application and criteria	2.5
Stakes Classes - based on physical attributes	7.3
Stakes Classes - competition in	7.1.2
Stakes Classes - Condition and Presentation Class	7.4
Stakes Classes – definition	7
Stakes Classes - other permitted classes	7.7

Stakes Classes – scheduling	7.6
Stakes Classes - standard classes	7.2
Stakes Classes - withdrawal from	19.14.3
Standards - available for judge	14.1
Stewards - dogs owned by	19.4
Stewarding Sheets - see under Judges Award Record Cards	
Tables in ring	14.2
Tail docking	17.1
Tampering – improper	17.1.1 & 17.2.2
Time and distance - additional judging appointments	4.8
Time - commencement of judging	5.2.1
Timetables – judging	12
Toy Poodles - measuring of	14.3 & 19.2
Travel - by judge to show	4.12
Unrecognised Show – definition	1.3
Unrecognised Show - disqualifications of dogs entered or exhibited	10.13
Veterinary Surgeon - for shows	19.17 & 23
Veterinary Surgeon - for show - name in catalogue	15.5
Water Trials	29
Weighing machine	19.1.2
Weight of dogs	19.1
Weight - Miniature Dachshunds	19.1.3
Whippet racing	30
Wins – previous	6.1.2
Withdrawal from competition	19.14
Withdrawal from competition - before date of show	19.14.1
Withdrawal from competition - forfeit of prizes	19.14.2.6
Withdrawal from competition - ineligible to compete further	19.14.2.5
Withdrawal from competition - on day of show	19.14.2
Withdrawal from competition - without permission	19.14.2.6, 19.14.2.7 & 19.14.2
Withholding Challenge Certificate - by judge	22.3
Withholding prize or award - by judge	21.2